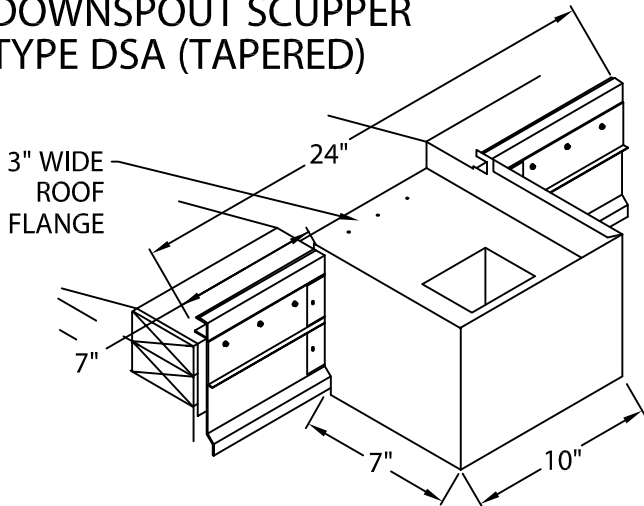


PAC-TITE WT FASCIA

BUILT-UP OR MODIFIED VERSION

SCUPPERS - FACTORY WELDED CONSTRUCTION

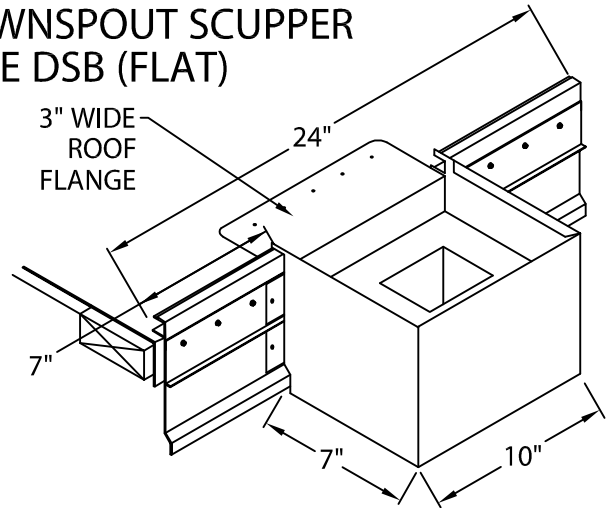
DOWNSPOUT SCUPPER TYPE DSA (TAPERED)



FOR USE WITH TAPERED EDGE STRIP.
FLANGE LOWERED 1 1/2\".

NOTE : SPECIFY TUBE SIZE

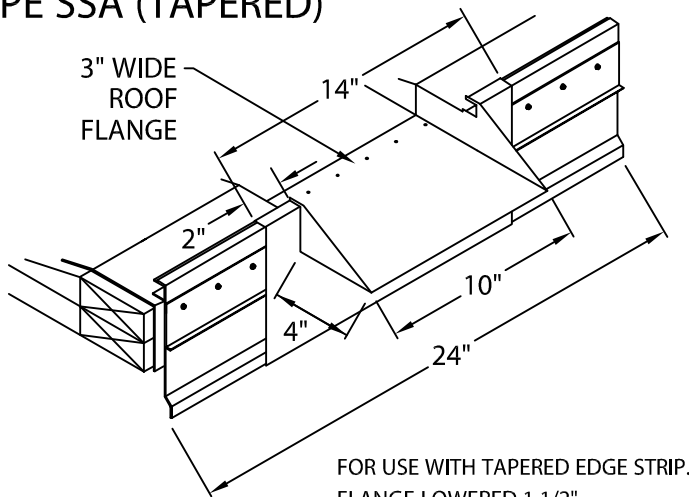
DOWNSPOUT SCUPPER TYPE DSB (FLAT)



FOR USE WITHOUT TAPERED EDGE STRIP.
FLANGE FLUSH MOUNTED WITH ROOF.

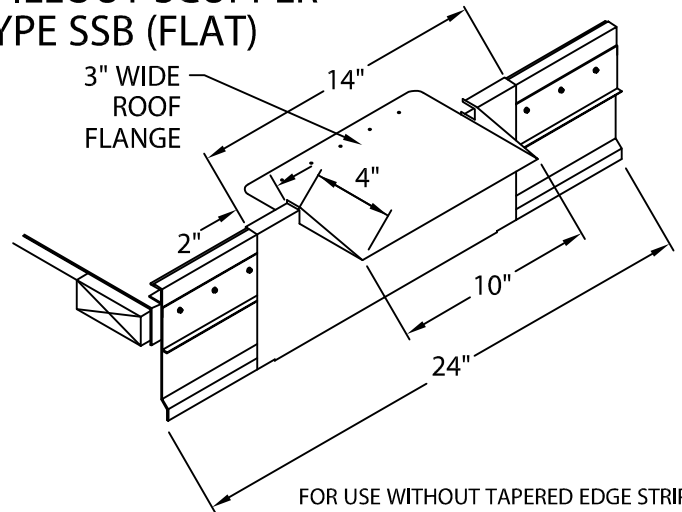
NOTE : SPECIFY TUBE SIZE

SPILOUT SCUPPER TYPE SSA (TAPERED)



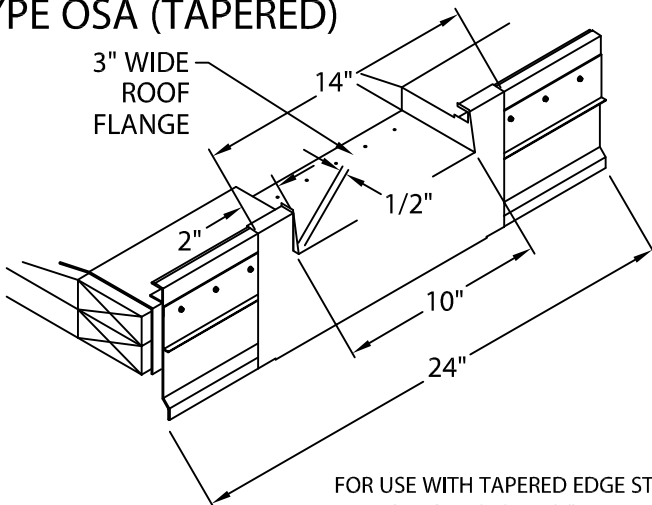
FOR USE WITH TAPERED EDGE STRIP.
FLANGE LOWERED 1 1/2\".

SPILOUT SCUPPER TYPE SSB (FLAT)



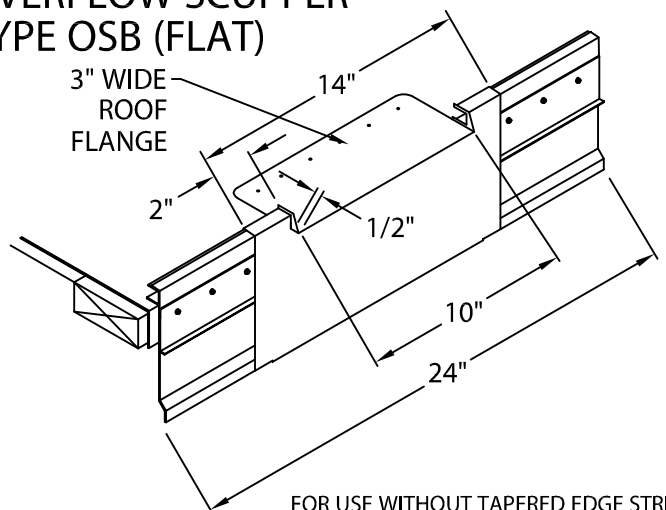
FOR USE WITHOUT TAPERED EDGE STRIP.
FLANGE FLUSH MOUNTED WITH ROOF.

OVERFLOW SCUPPER TYPE OSA (TAPERED)



FOR USE WITH TAPERED EDGE STRIP.
FLANGE LOWERED 1 1/2\".

OVERFLOW SCUPPER TYPE OSB (FLAT)



FOR USE WITHOUT TAPERED EDGE STRIP.
FLANGE FLUSH MOUNTED WITH ROOF.



Phone: 800-323-1960 Fax: 800-722-7150
www.pac-clad.com
e-mail: info@pac-clad.com

DATE: 07/23/10
DRN BY: JJC
CKD BY: SAK

SHT.# ___ OF ___
DWG# 41510-12138

A