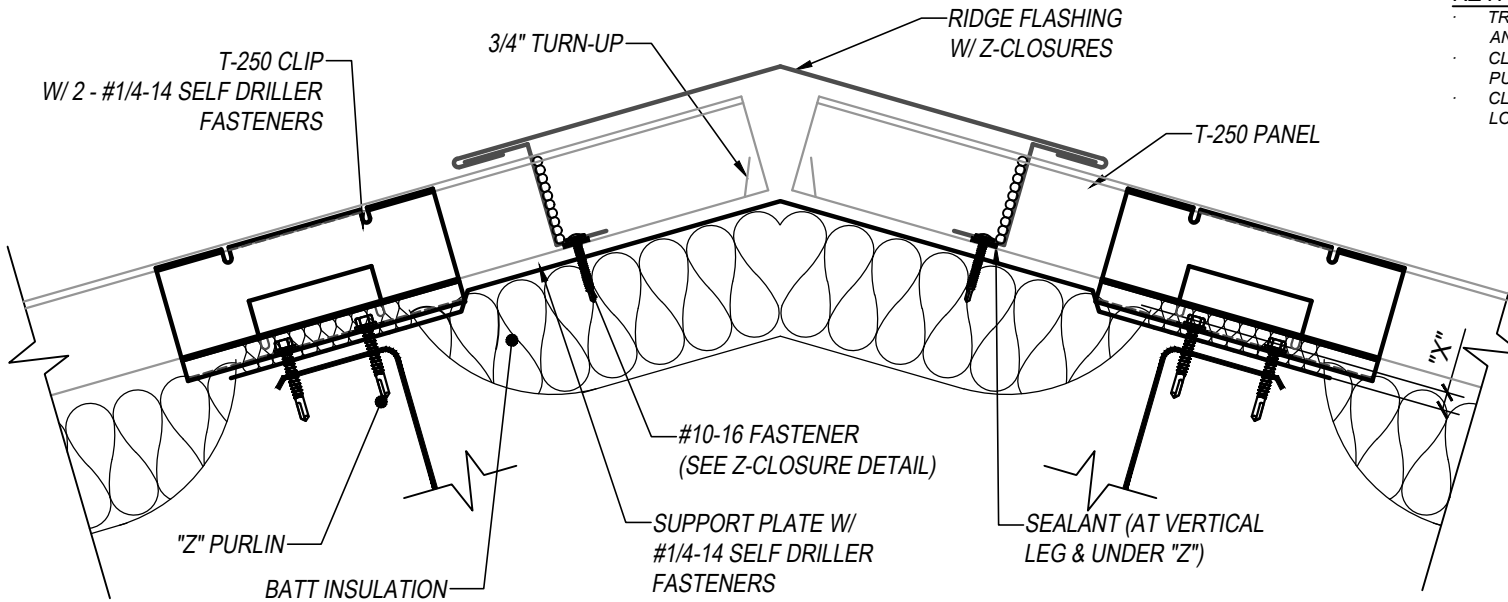
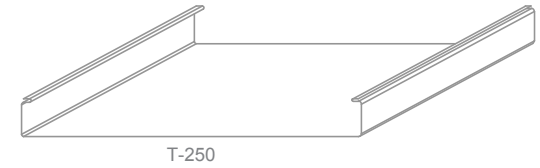


# T-250 - OPEN FRAMING SUBSTRATE DETAILS HIP / RIDGE



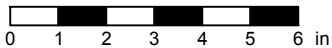
**KEYNOTES:**

- TRIM FASTENERS ARE SELF-TAPPING PANCAKE HEAD AND MUST BE INSTALLED IN A STAGGERED PATTERN
- CLIP FASTENERS MUST PENETRATE TOP FLANGE OF "Z" PURLIN SUBSTRATE BY 5/8" MINIMUM THREAD LENGTH
- CLIP SPACING VARIES BASED ON PROJECT SPECIFIC LOADS AND/OR LOCAL BUILDING CODES

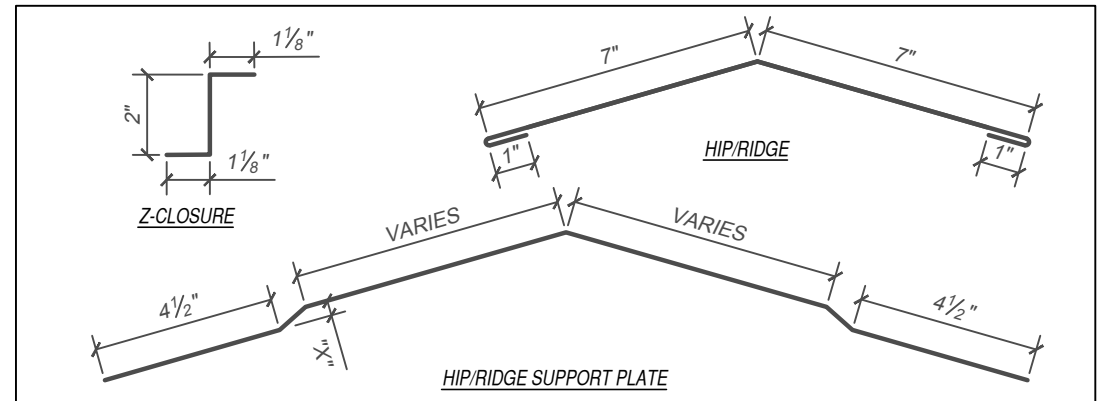
**NOTES:**

- ALL Z-CLOSURES ARE TO BE SET IN SEALANT AND SEALED UP THE VERTICAL LEG.
- "X" DIMENSION 3/8" SPACING FOR LOW FLOATING SYSTEM TO ACCOMMODATE UP TO 3" BATT INSULATION, 1" SPACING FOR HIGH FLOATING SYSTEM TO ACCOMMODATE BATT INSULATION AND/OR THERMAL BLOCK.

SCALE: 3" = 1'-0"



EFFECTIVE DATE: 01-03-2023  
SUBJECT TO CHANGE WITHOUT NOTICE



DISCLAIMER: DETAIL SHOWN FOR ILLUSTRATION PURPOSES ONLY. ACTUAL PROJECT DETAIL MAY VARY