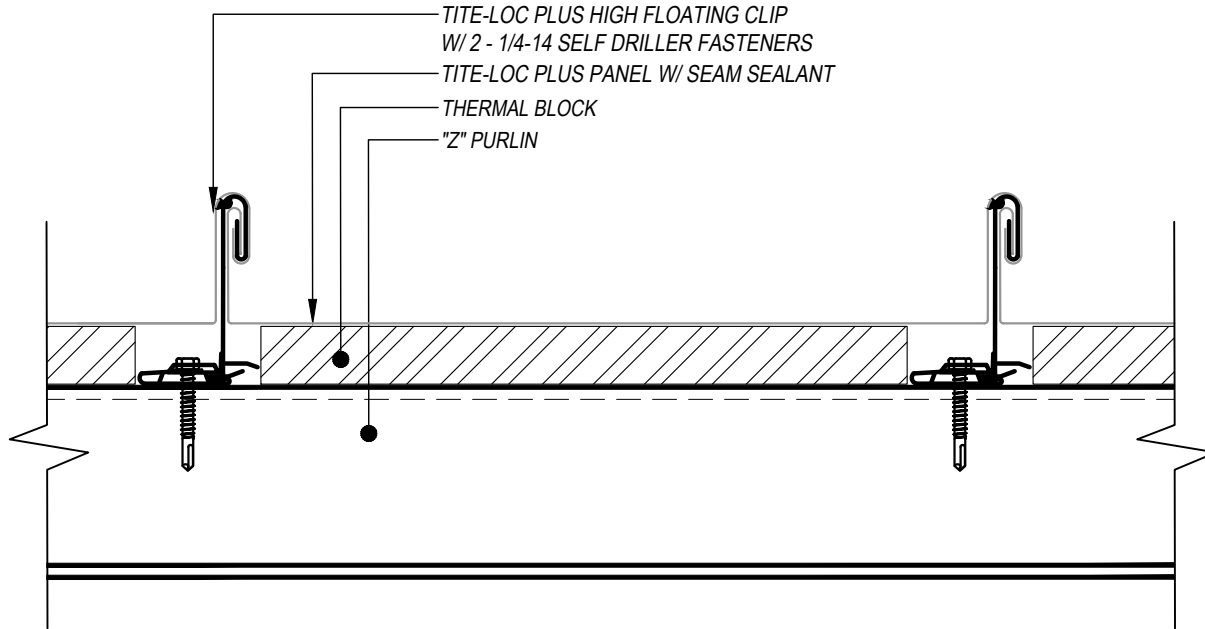
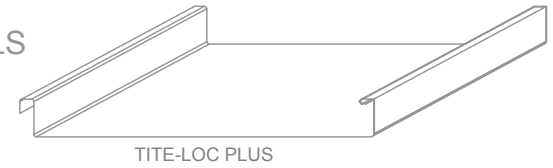
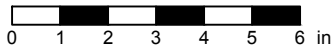


TITE-LOC PLUS - OPEN FRAMING SUBSTRATE DETAILS INSTALLATION - HIGH SYSTEM



SCALE: 4" = 1'-0"



EFFECTIVE DATE: 01-03-2023
SUBJECT TO CHANGE WITHOUT NOTICE

KEYNOTES:

- CLIP FASTENERS MUST PENETRATE TOP FLANGE OF "Z" PURLIN SUBSTRATE BY 5/8" MINIMUM THREAD LENGTH
- CLIP SPACING VARIES BASED ON PROJECT SPECIFIC LOADS AND/OR LOCAL BUILDING CODES
- HIGH SYSTEM ACCOMMODATES BATT INSULATION AND THERMAL BLOCK
- PANEL TO BE SEAMED 180 DEGREES

DISCLAIMER: DETAIL SHOWN FOR ILLUSTRATION PURPOSES ONLY. ACTUAL PROJECT DETAIL MAY VARY