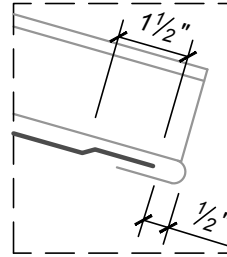
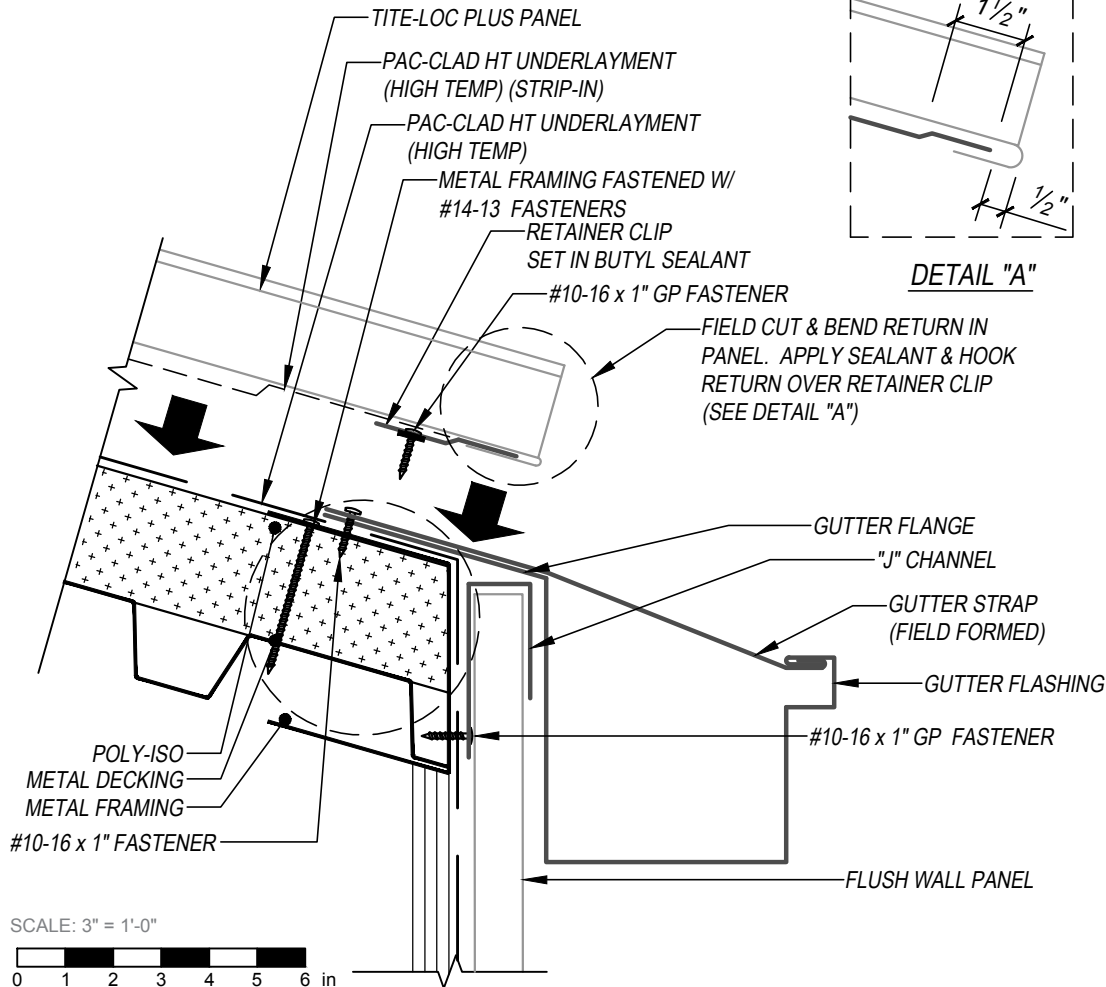
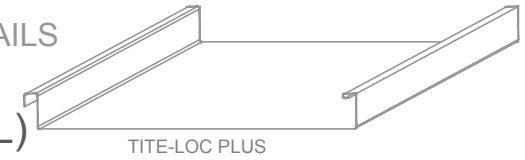


# TITE-LOC PLUS - METAL DECK / ISO SUBSTRATE DETAILS

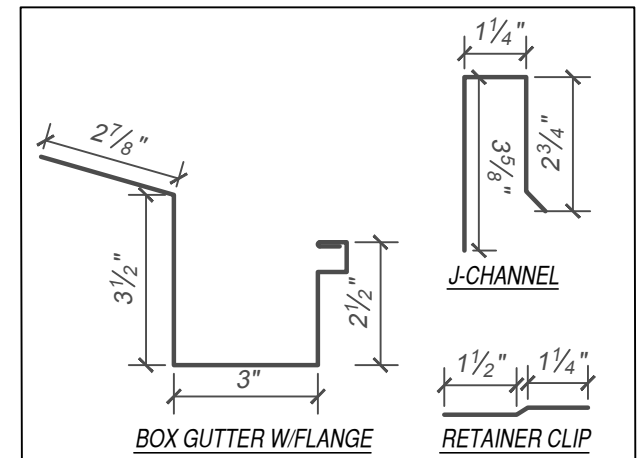
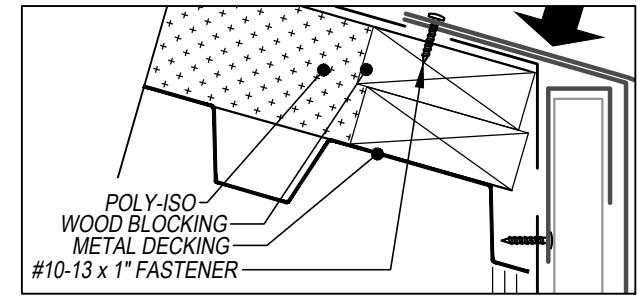
## GUTTER - OPTION 3 (WITH FLANGE OVER FLUSH WALL PANEL)



**KEYNOTES:**

- TRIM FASTENERS ARE SELF-TAPPING PANCAKE HEAD AND MUST BE INSTALLED IN A STAGGERED PATTERN
- CLIP FASTENERS MUST PENETRATE TOP FLUTE OF METAL DECK SUBSTRATE BY 5/8" MINIMUM THREAD LENGTH
- FASTENER SPACING VARIES BASED ON PROJECT SPECIFIC LOADS AND/OR LOCAL BUILDING CODES

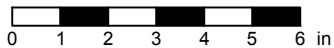
**WOOD BLOCKING OPTION**



**FLASHINGS**

DISCLAIMER: DETAIL SHOWN FOR ILLUSTRATION PURPOSES ONLY. ACTUAL PROJECT DETAIL MAY VARY

SCALE: 3" = 1'-0"



EFFECTIVE DATE: 01-03-2023  
 SUBJECT TO CHANGE WITHOUT NOTICE