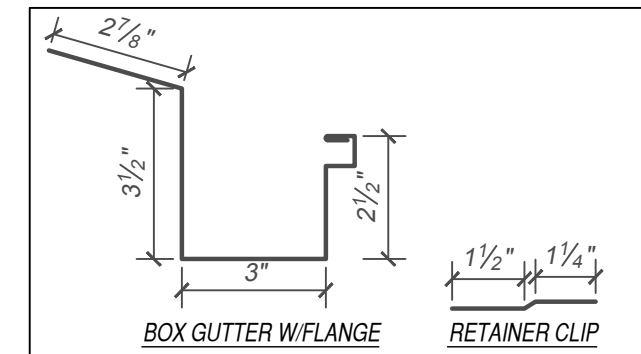
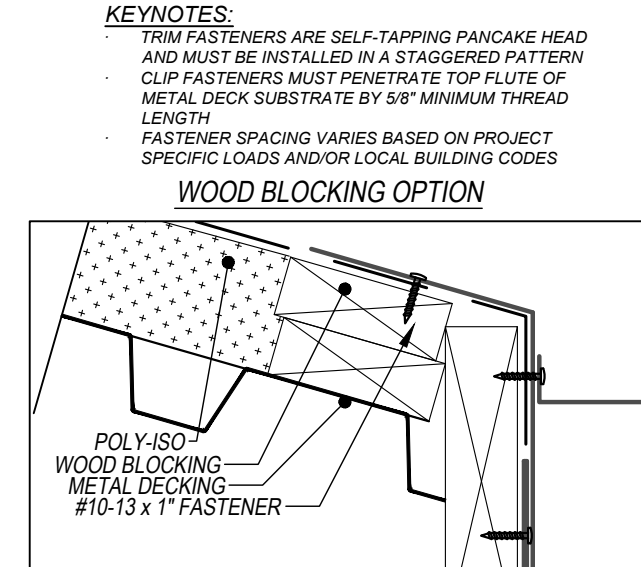
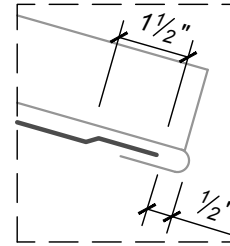
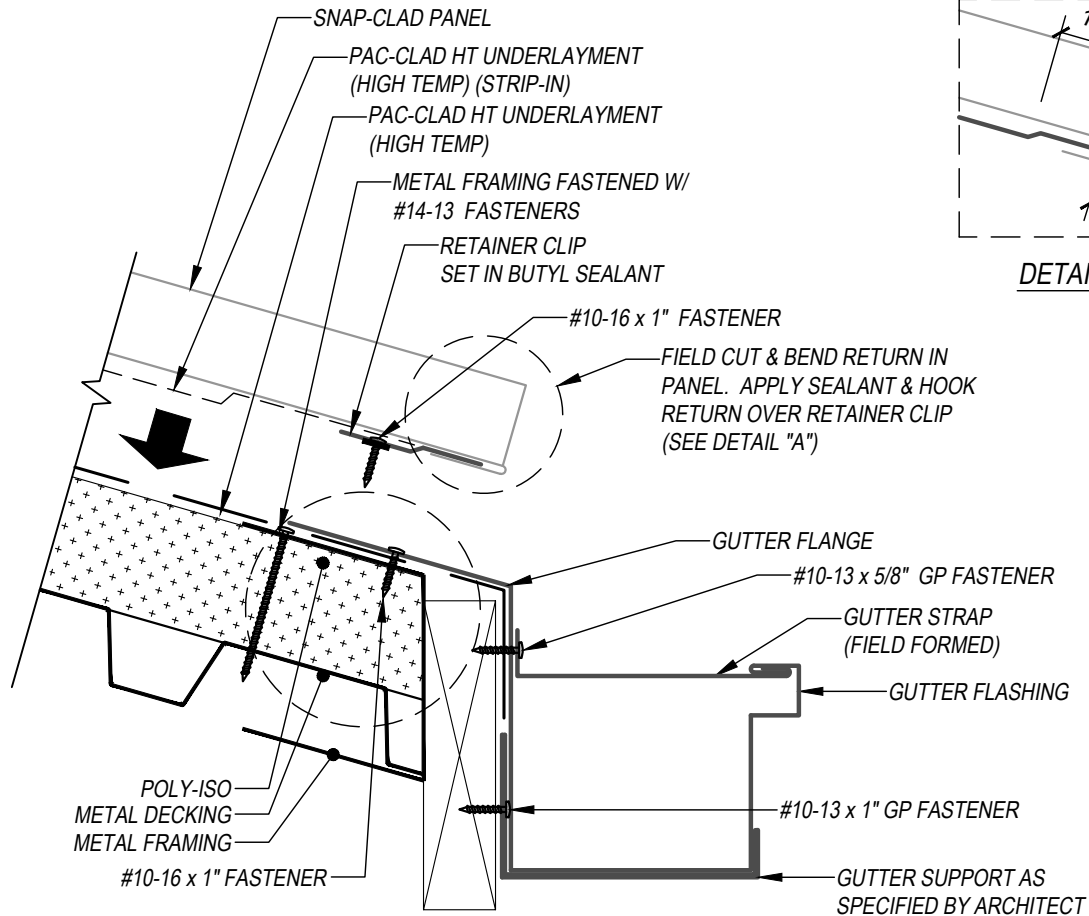
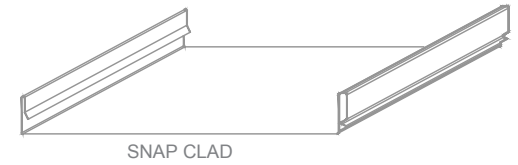
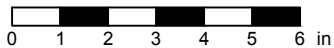


# SNAP CLAD - METAL DECK / ISO SUBSTRATE DETAILS

## GUTTER - OPTION 2 (WITH FLANGE)



SCALE: 3" = 1'-0"



EFFECTIVE DATE: 01-03-2023  
SUBJECT TO CHANGE WITHOUT NOTICE

DISCLAIMER: DETAIL SHOWN FOR ILLUSTRATION PURPOSES ONLY. ACTUAL PROJECT DETAIL MAY VARY