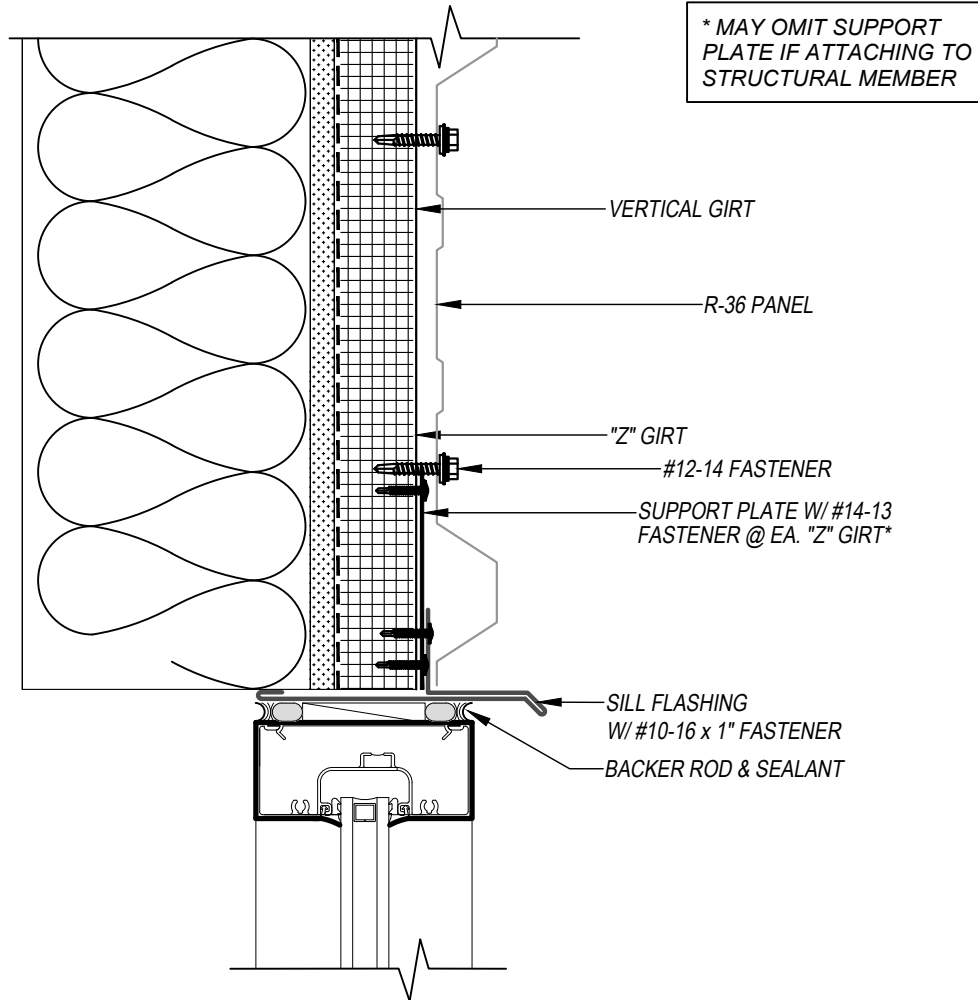
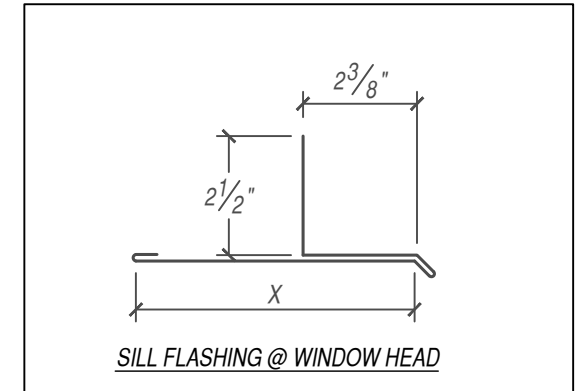


R-36 PANEL - Z-GIRT  
**WINDOW HEAD DETAIL**  
HORIZONTAL APPLICATION



**KEYNOTES:**

- FASTENERS MUST PENETRATE TOP FLANGE OF "Z" GIRT SUBSTRATE BY 5/8" MINIMUM THREAD LENGTH
- CLIP SPACING VARIES BASED ON PROJECT SPECIFIC LOADS AND/OR LOCAL BUILDING CODES



FLASHINGS

SCALE: 3" = 1'-0"



EFFECTIVE DATE: 01-03-2023  
SUBJECT TO CHANGE WITHOUT NOTICE

DISCLAIMER: DETAIL SHOWN FOR ILLUSTRATION PURPOSES ONLY. ACTUAL PROJECT DETAIL MAY VARY