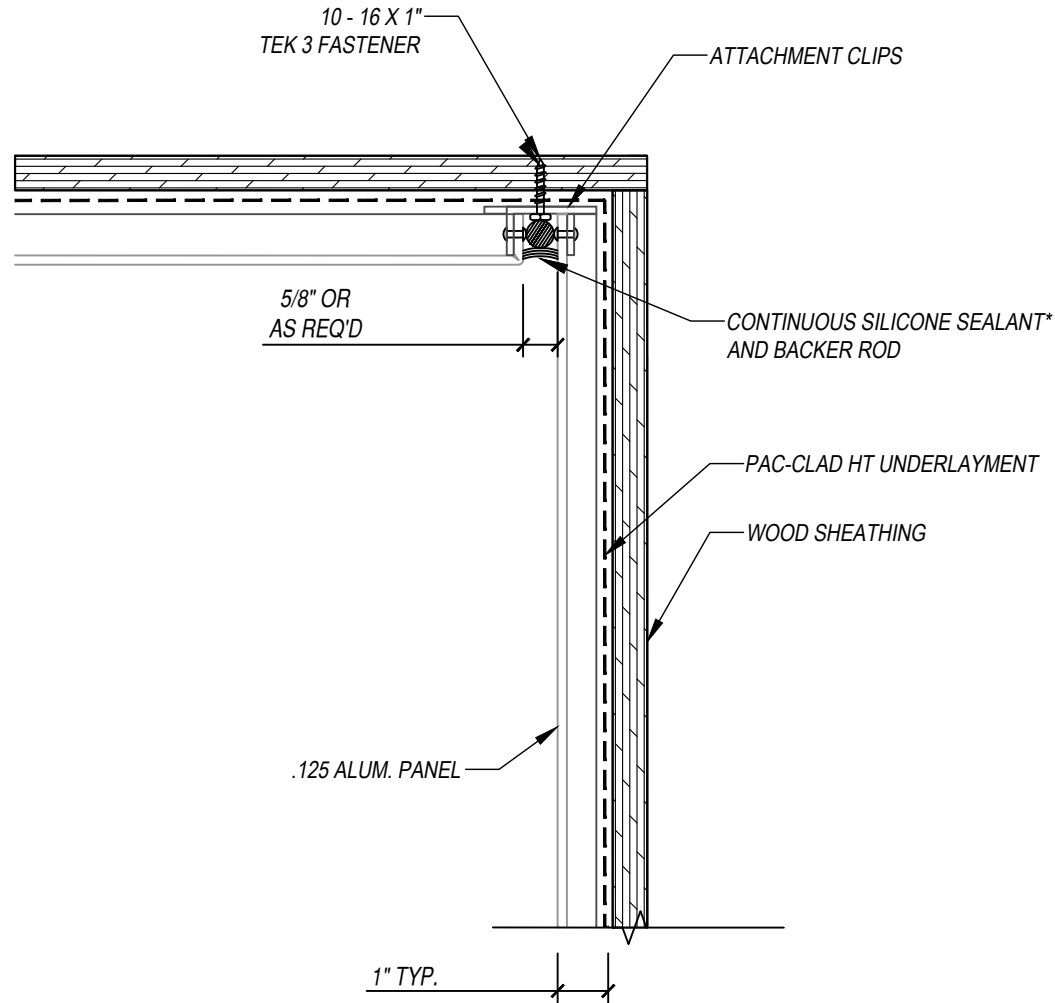
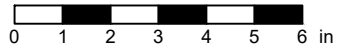


COMPOSITE WALL - PAC-3000 CS - WOOD SUBSTRATE DETAILS INSIDE CORNER (ALTERNTE)

* CALL FOR RECOMENDATION ON TYPE OF SILICONE SEALANT



SCALE: 3" = 1'-0"



EFFECTIVE DATE: 01-03-2023

SUBJECT TO CHANGE WITHOUT NOTICE

DISCLAIMER: DETAIL SHOWN FOR ILLUSTRATION PURPOSES ONLY. ACTUAL PROJECT DETAIL MAY VARY