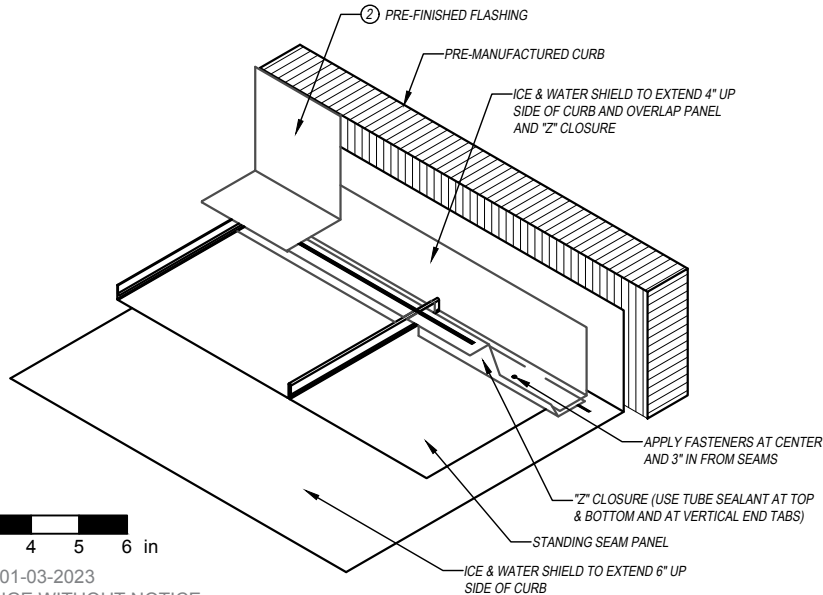
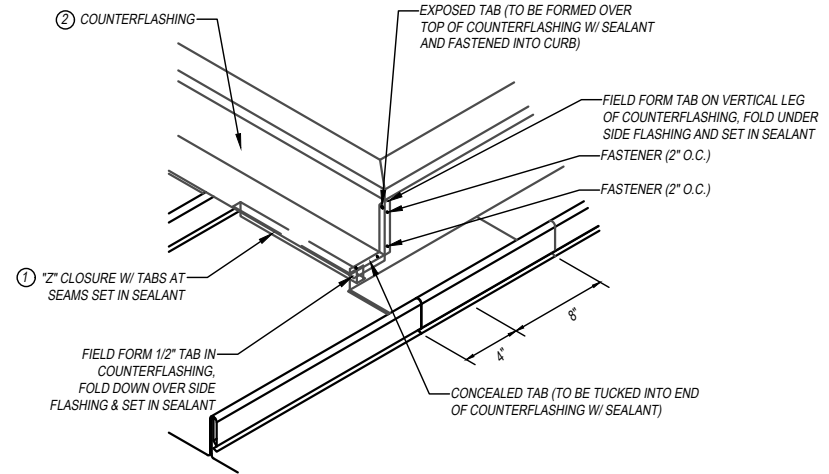
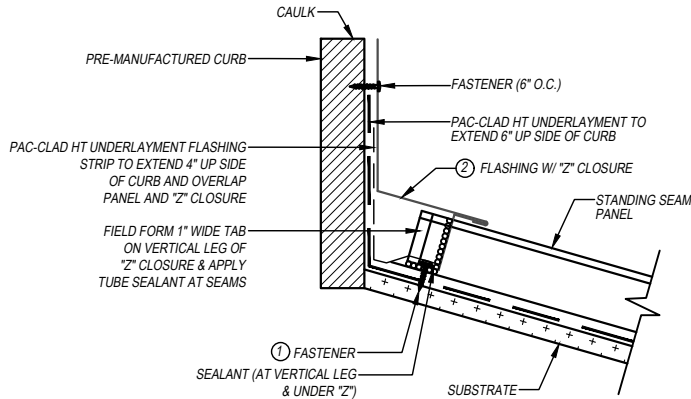
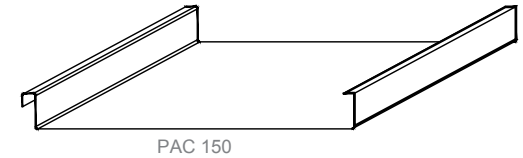


# PAC 150 - METAL DECK / ISO SUBSTRATE DETAILS

## CURB - 1 of 2



**NOTES / LEGEND**

ALL FASTENERS DRILLED THROUGH ALUMINUM MUST BE STAINLESS STEEL.

① 4 FASTENERS PER PANEL IF PANEL WIDTH < 18"  
6 FASTENERS PER PANEL IF PANEL WIDTH = 18"

② FLASHING MATERIAL TO MATCH ROOF PANEL MATERIAL.

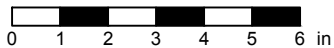
③ MUST BE STAINLESS STEEL IF ROOF PANEL IS ALUMINUM.

**KEYNOTES:**

- TRIM FASTENERS ARE SELF-DRILL PANCAKE HEAD AND MUST BE INSTALLED IN A STAGGERED PATTERN
- CLIP FASTENERS MUST PENETRATE TOP FLUTE OF METAL DECK SUBSTRATE BY 5/8" MINIMUM THREAD LENGTH

DISCLAIMER: DETAIL SHOWN FOR ILLUSTRATION PURPOSES ONLY. ACTUAL PROJECT DETAIL MAY VARY

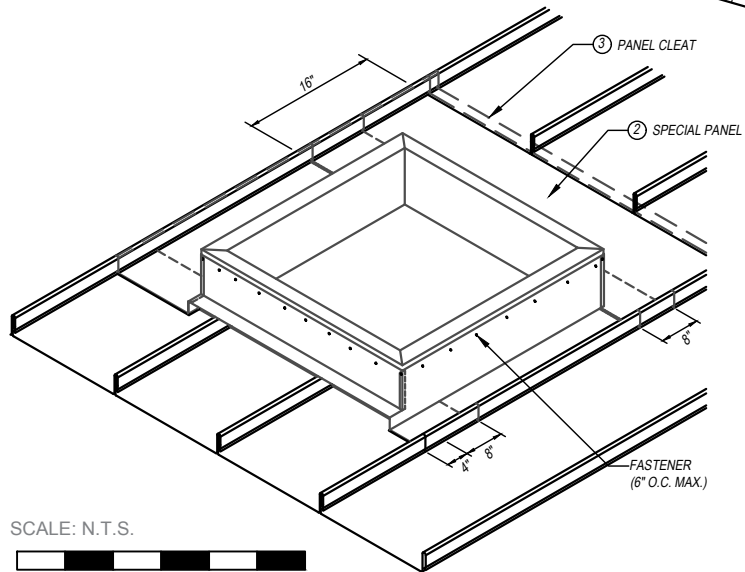
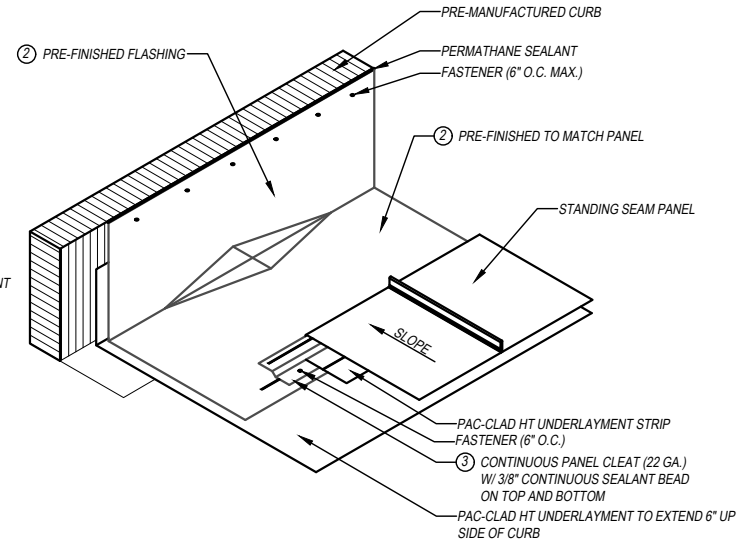
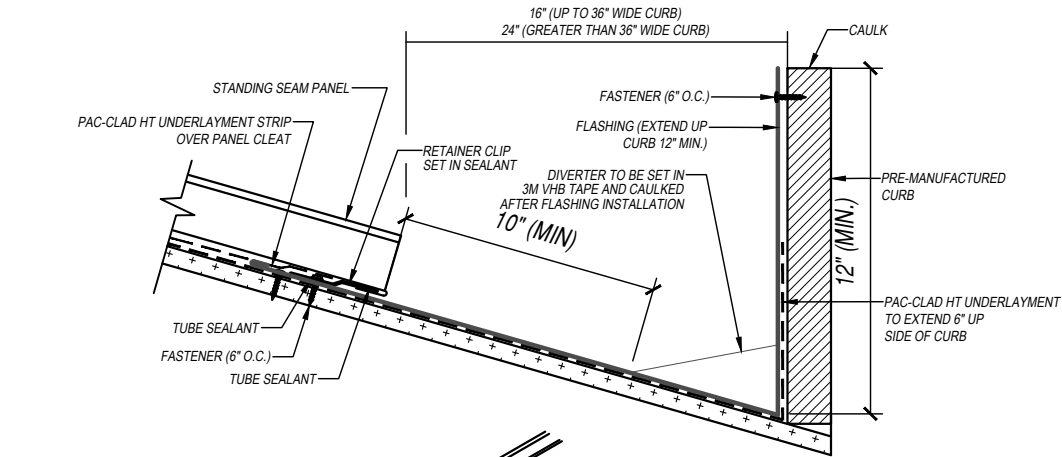
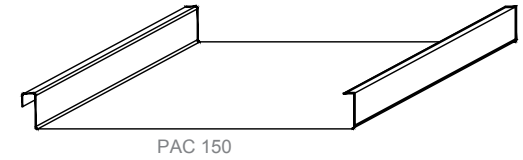
SCALE: N.T.S.



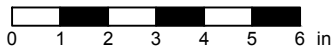
EFFECTIVE DATE: 01-03-2023  
SUBJECT TO CHANGE WITHOUT NOTICE

# PAC 150 - METAL DECK / ISO SUBSTRATE DETAILS

## CURB - 2 of 2

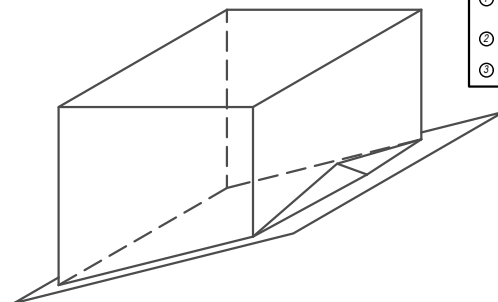


SCALE: N.T.S.



EFFECTIVE DATE: 01-03-2023  
SUBJECT TO CHANGE WITHOUT NOTICE

- NOTES / LEGEND**
- ALL FASTENERS DRILLED THROUGH ALUMINUM MUST BE STAINLESS STEEL.
- ① 4 FASTENERS PER PANEL IF PANEL WIDTH < 18"  
6 FASTENERS PER PANEL IF PANEL WIDTH = 18"
  - ② FLASHING MATERIAL TO MATCH ROOF PANEL MATERIAL.
  - ③ MUST BE STAINLESS STEEL IF ROOF PANEL IS ALUMINUM.



**KEYNOTES:**

- TRIM FASTENERS ARE SELF-DRILL PANCAKE HEAD AND MUST BE INSTALLED IN A STAGGERED PATTERN
- CLIP FASTENERS MUST PENETRATE TOP FLUTE OF METAL DECK SUBSTRATE BY 5/8" MINIMUM THREAD LENGTH

DISCLAIMER: DETAIL SHOWN FOR ILLUSTRATION PURPOSES ONLY. ACTUAL PROJECT DETAIL MAY VARY