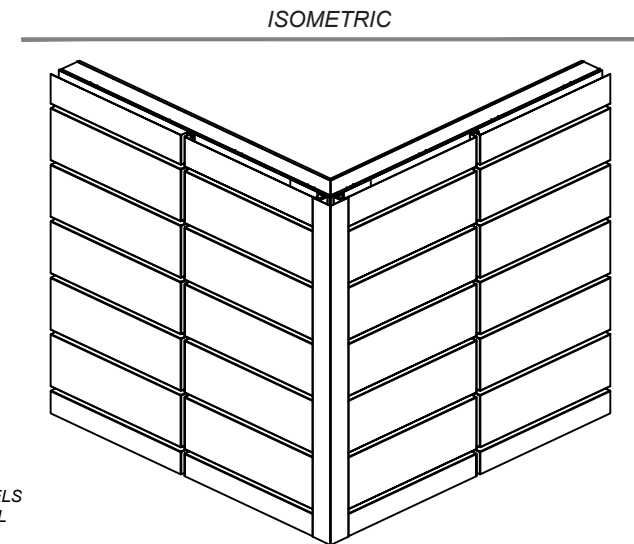
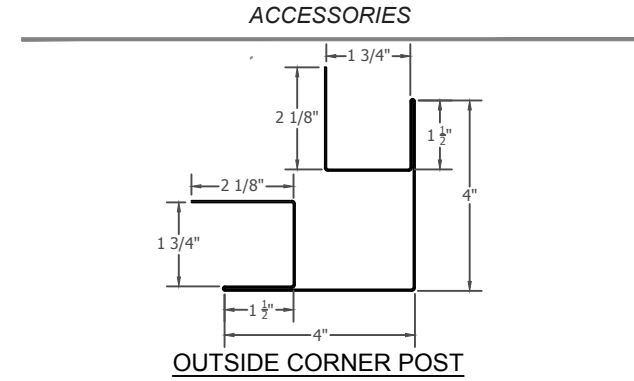
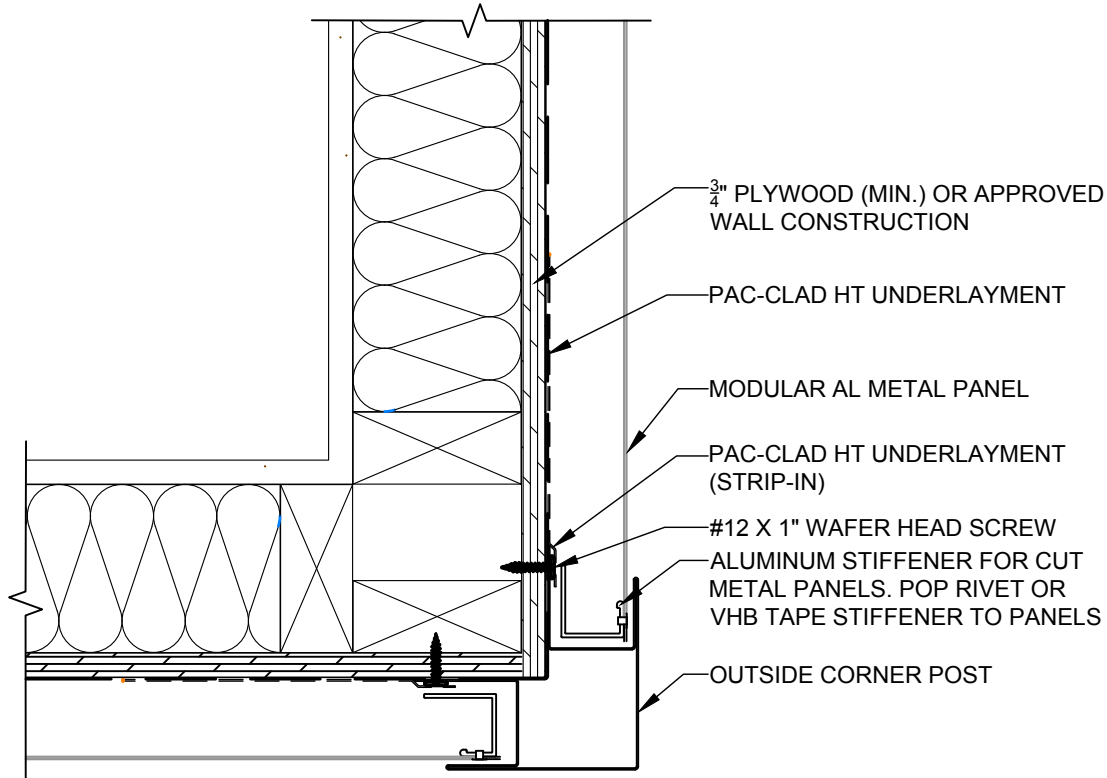
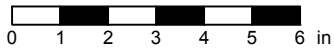


# COMPOSITE WALL - MODULAR AL - WOOD SUBSTRATE DETAILS OUTSIDE CORNER - OPTION 1 DETAIL



SCALE: 3" = 1'-0"



EFFECTIVE DATE: 01-03-2023  
SUBJECT TO CHANGE WITHOUT NOTICE

**KEYNOTES:**

- SHIMS ARE NOT REQUIRED FOR METAL PANELS UNLESS THERE ARE IMPERFECTIONS IN WALL CONSTRUCTION
- IF IMPERFECTIONS, USE HIGH IMPACT PLASTIC SHIMS. (STANDARD WALL CONSTRUCTION DEVIATION IS LESS THAN 1/4" IN 20'-0" IN ALL DIRECTIONS).

DISCLAIMER: DETAIL SHOWN FOR ILLUSTRATION PURPOSES ONLY. ACTUAL PROJECT DETAIL MAY VARY