

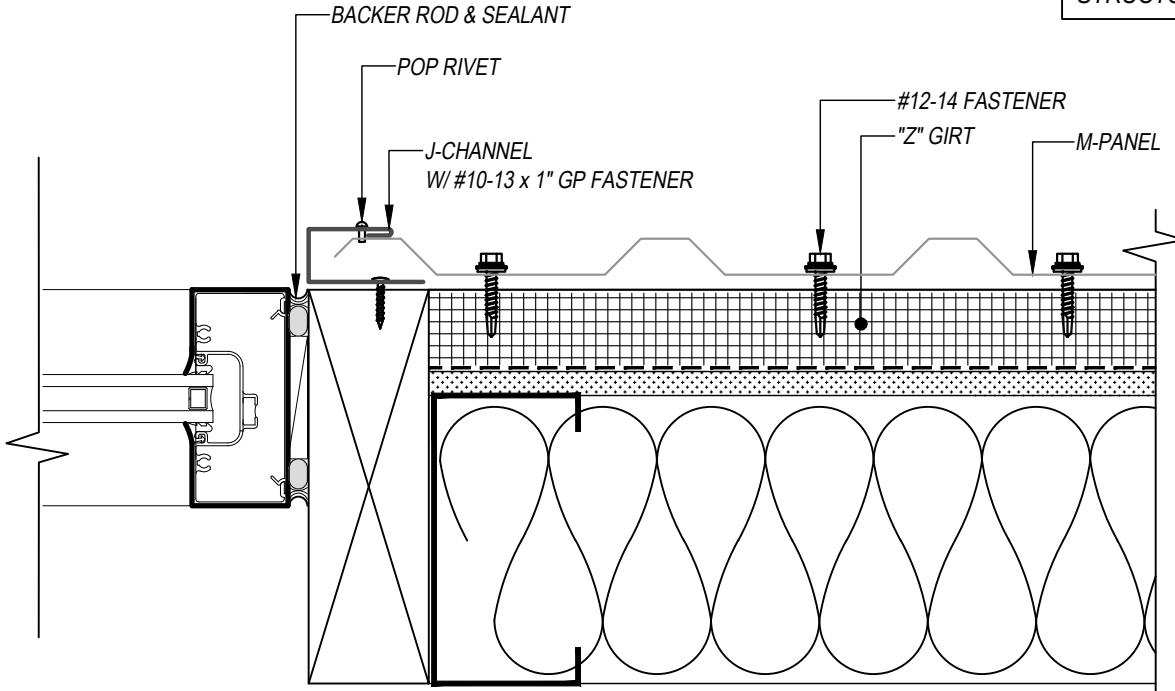
M-PANEL - Z-GIRT
WINDOW JAMB DETAIL
VERTICAL APPLICATION



THIS DETAIL DRAWING IS APPLICABLE TO ALL M-PANEL SERIES ROOF PANEL PROFILES

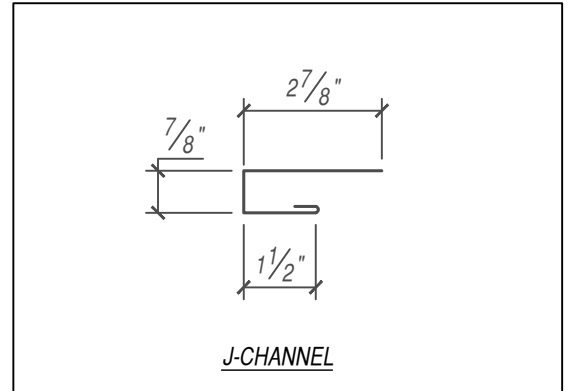


*** MAY OMIT SUPPORT PLATE IF ATTACHING TO STRUCTURAL MEMBER**

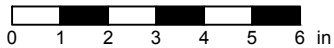


KEYNOTES:

- FASTENERS MUST PENETRATE TOP FLANGE OF "Z" GIRT SUBSTRATE BY 5/8" MINIMUM THREAD LENGTH
- CLIP SPACING VARIES BASED ON PROJECT SPECIFIC LOADS AND/OR LOCAL BUILDING CODES



SCALE: 3" = 1'-0"



EFFECTIVE DATE: 01-03-2023
SUBJECT TO CHANGE WITHOUT NOTICE

DISCLAIMER: DETAIL SHOWN FOR ILLUSTRATION PURPOSES ONLY. ACTUAL PROJECT DETAIL MAY VARY