

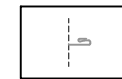
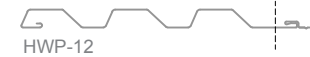
PERCISION SERIES - HWP - WOOD  
**INSIDE CORNER DETAIL**  
HORIZONTAL APPLICATION



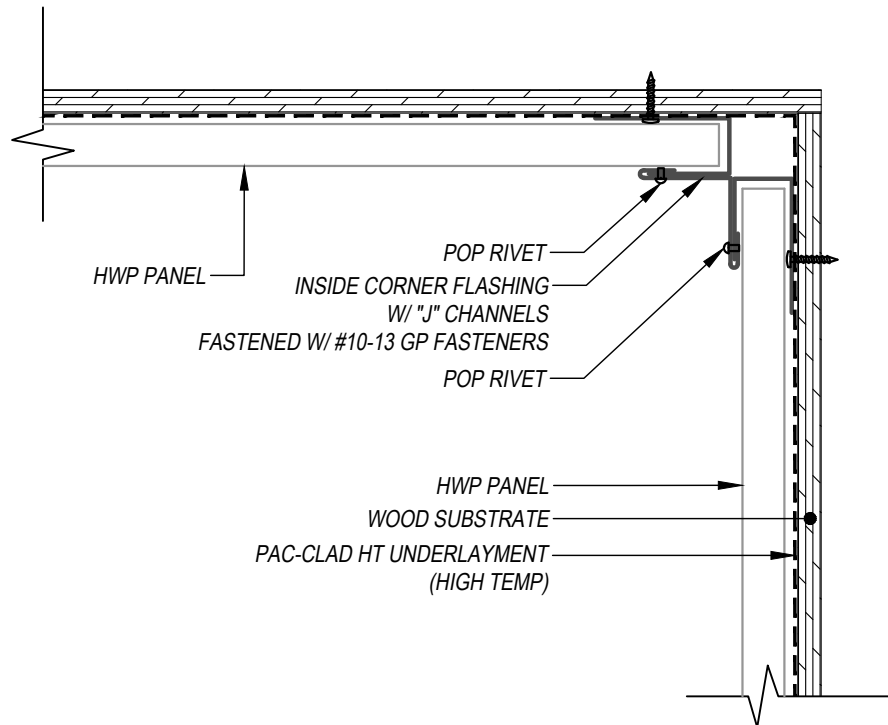
PRECISION SERIES - HWP

**\* MAY OMIT SUPPORT PLATE IF ATTACHING TO STRUCTURAL MEMBER**

THIS DETAIL DRAWING IS APPLICABLE TO ALL HWP SERIES WALL PANEL PROFILES

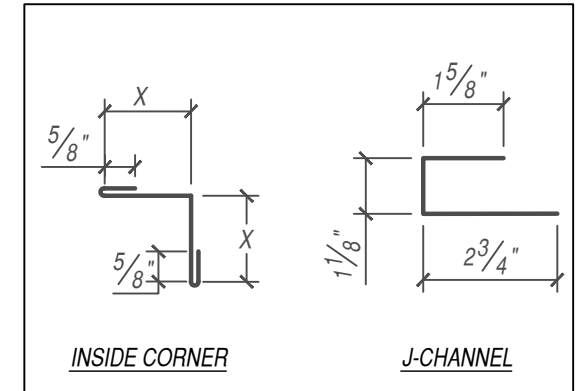


CONCEALED CLIP END



**KEYNOTES:**

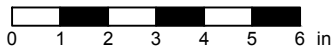
- TRIM FASTENERS ARE SELF-DRILL PANCAKE HEAD AND MUST BE INSTALLED IN A STAGGERED PATTERN
- FASTENERS MUST PENETRATE WOOD SUBSTRATE BY 5/8" MINIMUM THREAD LENGTH
- FASTENER SPACING VARIES BASED ON PROJECT SPECIFIC LOADS AND/OR LOCAL BUILDING CODES



FLASHINGS

DISCLAIMER: DETAIL SHOWN FOR ILLUSTRATION PURPOSES ONLY. ACTUAL PROJECT DETAIL MAY VARY

SCALE: 3" = 1'-0"



EFFECTIVE DATE: 01-03-2023  
SUBJECT TO CHANGE WITHOUT NOTICE