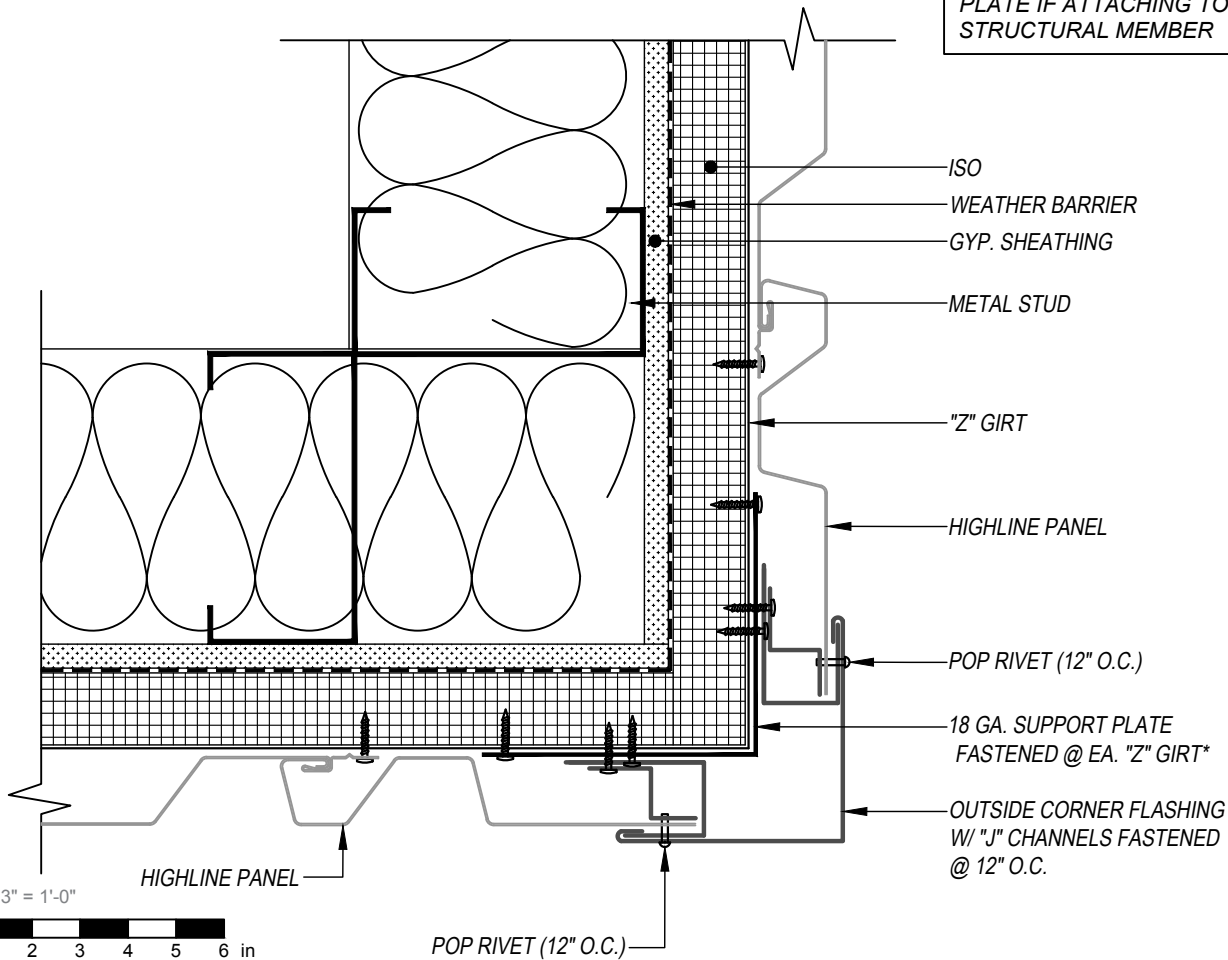


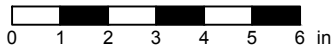
HIGHLINE SERIES - Z-GIRT OUTSIDE CORNER DETAIL VERTICAL APPLICATION



*** MAY OMIT SUPPORT PLATE IF ATTACHING TO STRUCTURAL MEMBER**

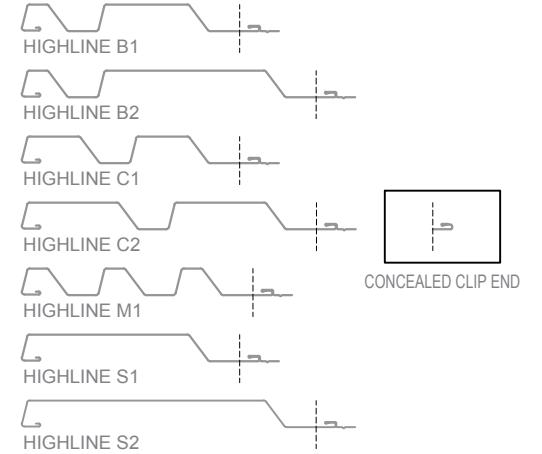


SCALE: 3" = 1'-0"



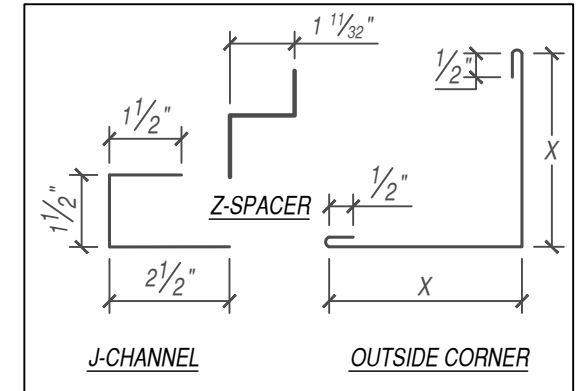
EFFECTIVE DATE: 01-03-2023
SUBJECT TO CHANGE WITHOUT NOTICE

THIS DETAIL DRAWING IS APPLICABLE TO ALL HIGHLINE SERIES WALL PANEL PROFILES



KEYNOTES:

- TRIM FASTENERS ARE SELF-DRILL PANCAKE HEAD AND MUST BE INSTALLED IN A STAGGERED PATTERN
- FASTENERS MUST PENETRATE STEEL SUBSTRATE BY 5/8" MINIMUM THREAD LENGTH



FLASHINGS

DISCLAIMER: DETAIL SHOWN FOR ILLUSTRATION PURPOSES ONLY. ACTUAL PROJECT DETAIL MAY VARY