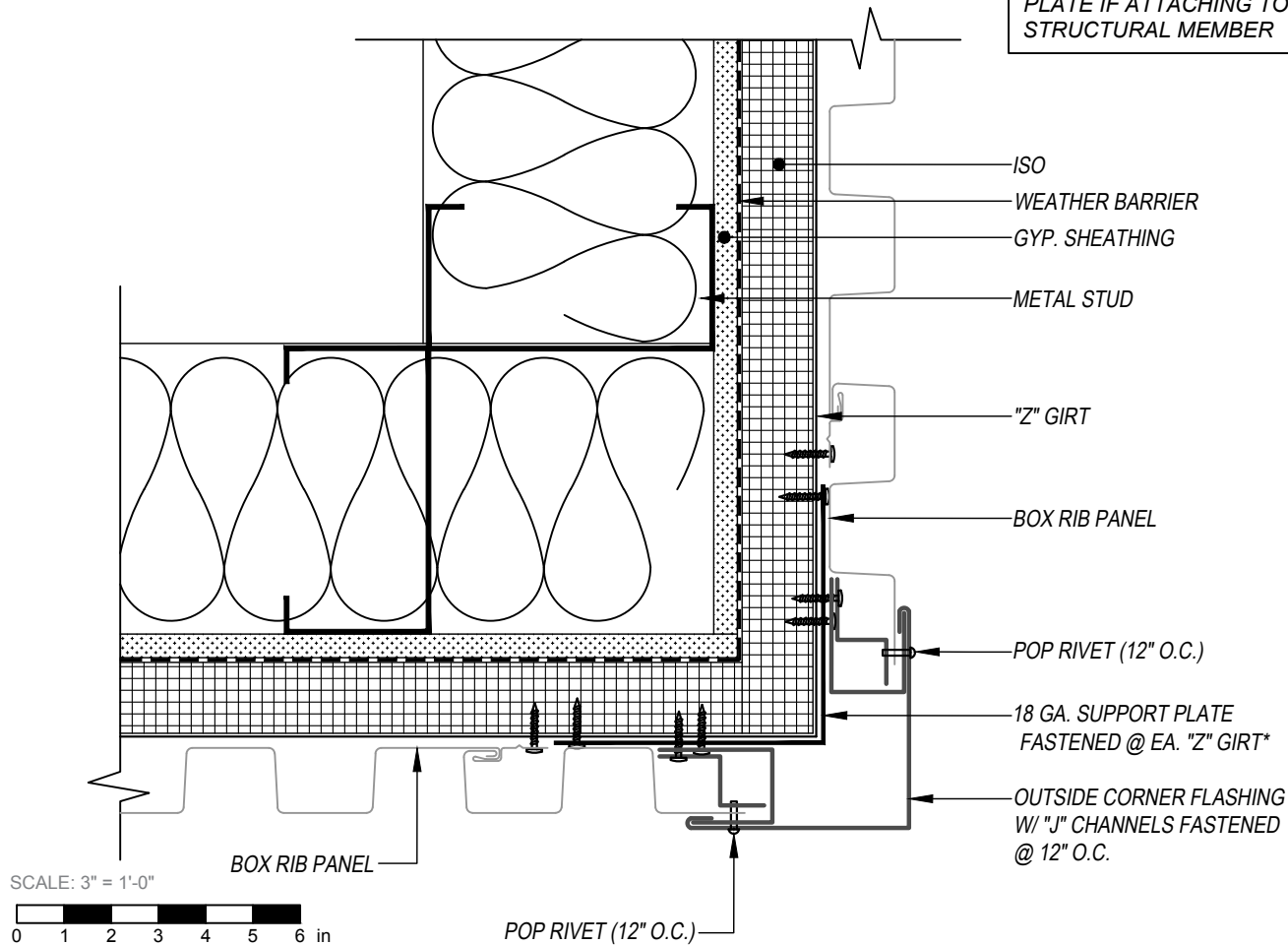


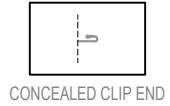
# BOX RIB SERIES - Z-GIRT OUTSIDE CORNER DETAIL VERTICAL APPLICATION



**\* MAY OMIT SUPPORT PLATE IF ATTACHING TO STRUCTURAL MEMBER**

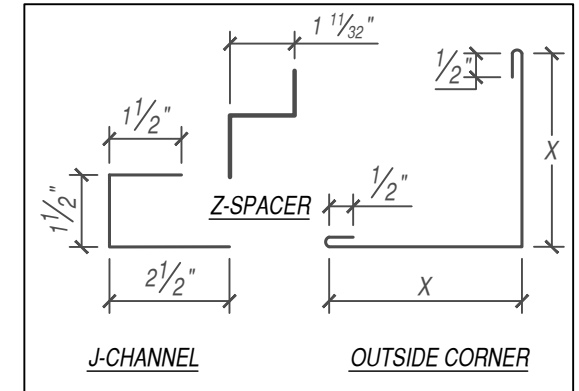


THIS DETAIL DRAWING IS APPLICABLE TO ALL BOX RIB SERIES WALL PANEL PROFILES



**KEYNOTES:**

- TRIM FASTENERS ARE SELF-DRILL PANCAKE HEAD AND MUST BE INSTALLED IN A STAGGERED PATTERN
- FASTENERS MUST PENETRATE STEEL SUBSTRATE BY 5/8" MINIMUM THREAD LENGTH



DISCLAIMER: DETAIL SHOWN FOR ILLUSTRATION PURPOSES ONLY. ACTUAL PROJECT DETAIL MAY VARY