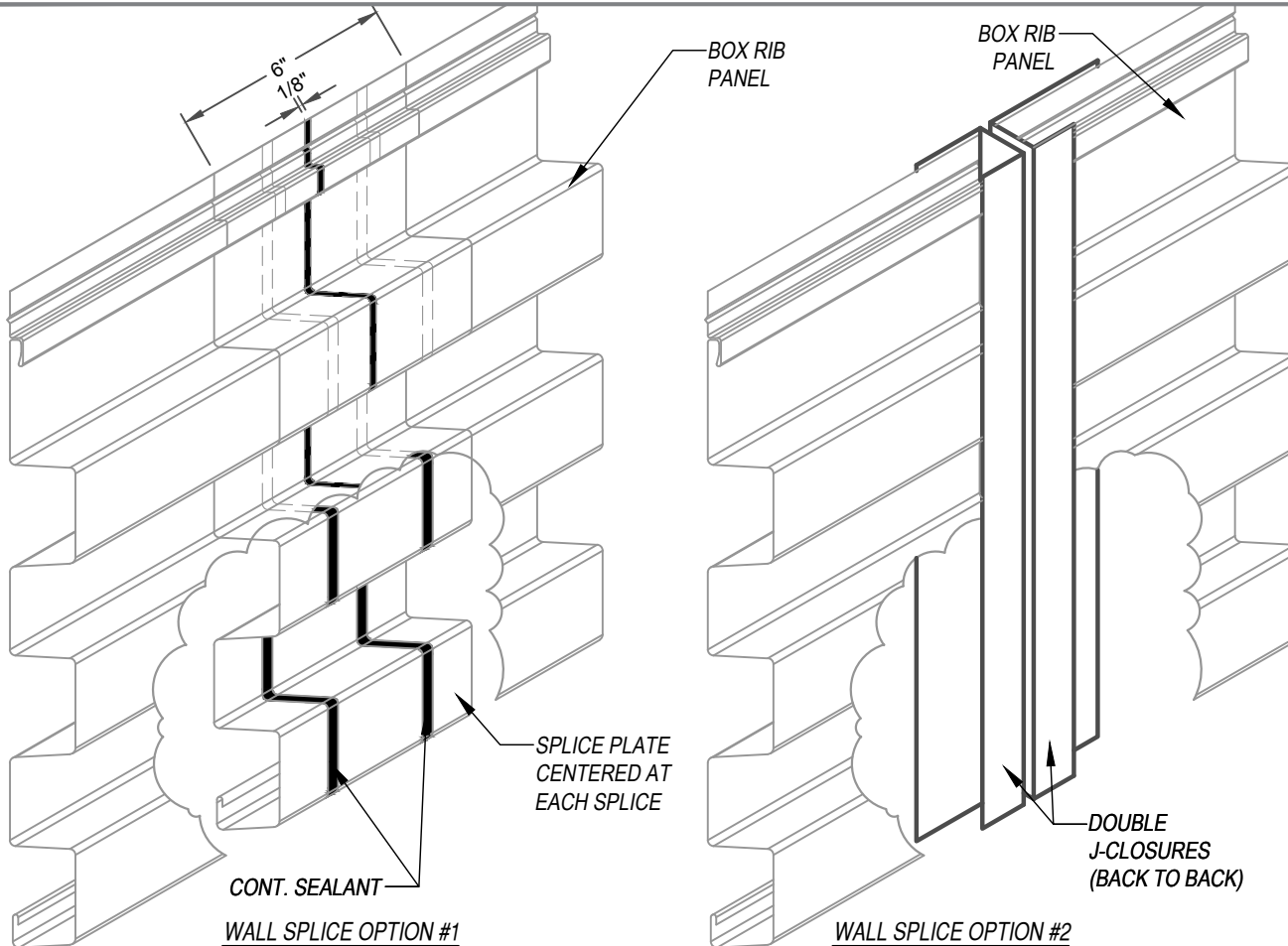
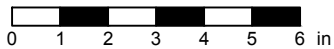


BOX RIB SERIES - Z-GIRT
SPLICE DETAIL - ISO VIEW
HORIZONTAL APPLICATION

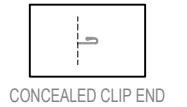


SCALE: 3" = 1'-0"



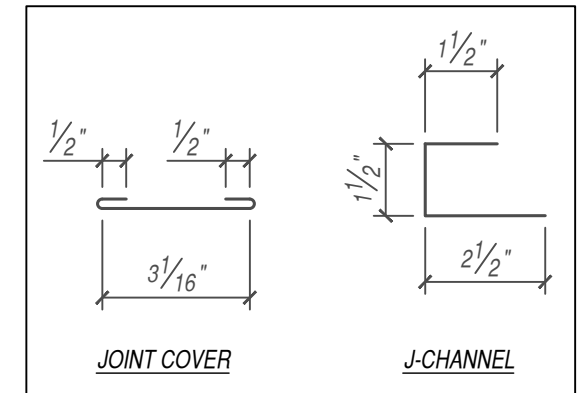
EFFECTIVE DATE: 01-03-2023
SUBJECT TO CHANGE WITHOUT NOTICE

THIS DETAIL DRAWING IS APPLICABLE TO ALL BOX RIB SERIES WALL PANEL PROFILES



KEYNOTES:

- TRIM FASTENERS ARE SELF-DRILL PANCAKE HEAD AND MUST BE INSTALLED IN A STAGGERED PATTERN
- FASTENERS MUST PENETRATE STEEL SUBSTRATE BY 5/8" MINIMUM THREAD LENGTH



FLASHINGS (OPTION #2 ONLY)

DISCLAIMER: DETAIL SHOWN FOR ILLUSTRATION PURPOSES ONLY. ACTUAL PROJECT DETAIL MAY VARY