

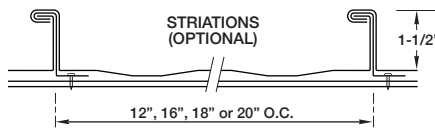
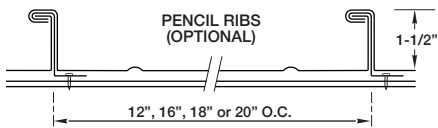
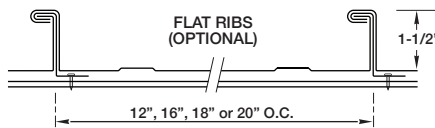
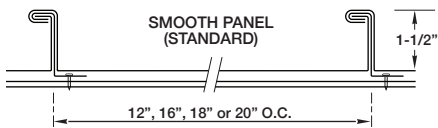
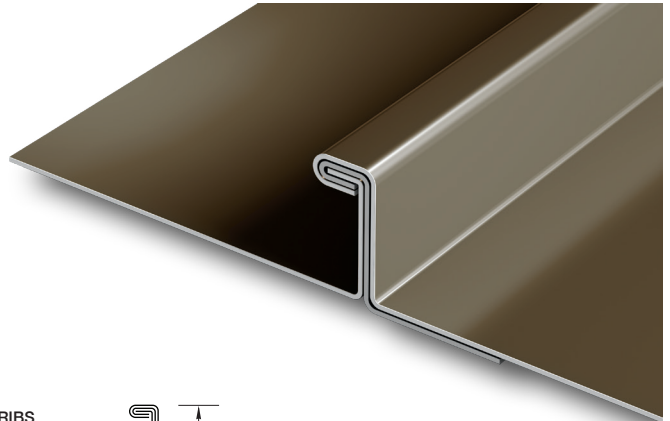
PAC-150 90° SEAM

MATERIALS

.032 aluminum 24 gauge steel

SPECS

12", 16", 18"
or 20" O.C. 1-1/2" High



PRODUCT FEATURES

- ▶ 30-year non-prorated finish warranty
- ▶ Weathertightness warranty available
- ▶ Available in four pan variations; smooth, striated, pencil rib or flat rib. Check locally for panel condition availability
- ▶ Maximum panel length of 64' when factory or shop-formed but virtually unlimited when field-formed

- ▶ Mechanically seamed in the field to 90°
- ▶ NOTE: Seamers for PAC-150 are not available from Petersen

MATERIAL

- ▶ 43 stocked colors (24 gauge steel)
- ▶ 36 stocked colors (.032 aluminum)
- ▶ Galvalume Plus available

UL CLASSIFICATION

- ▶ UL-580
- ▶ UL-1897
- ▶ TAS-125

FLORIDA BUILDING PRODUCT APPROVALS

Contact the Acworth, Georgia facility for PAC-150 product approvals.