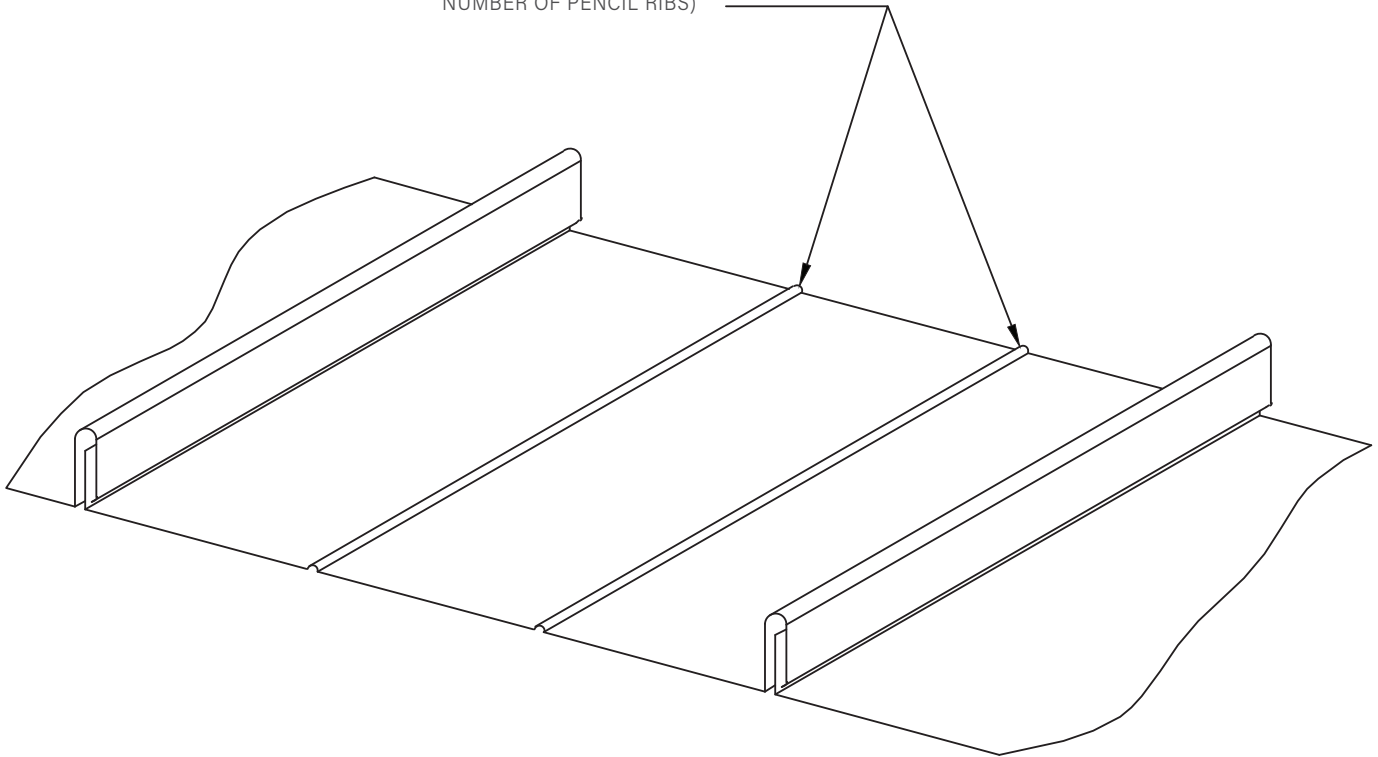


TWO (2) PENCIL RIBS  
(CHECK WITH LOCAL PLANT  
TO VERIFY MANUFACTURING  
CAPABILITIES REGARDING  
NUMBER OF PENCIL RIBS)



REDI-ROOF PANEL  
WITH PENCIL RIBS  
ISOMETRIC VIEW