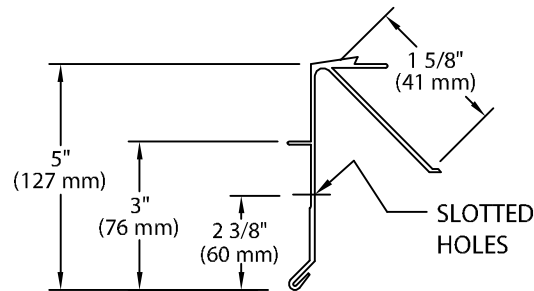
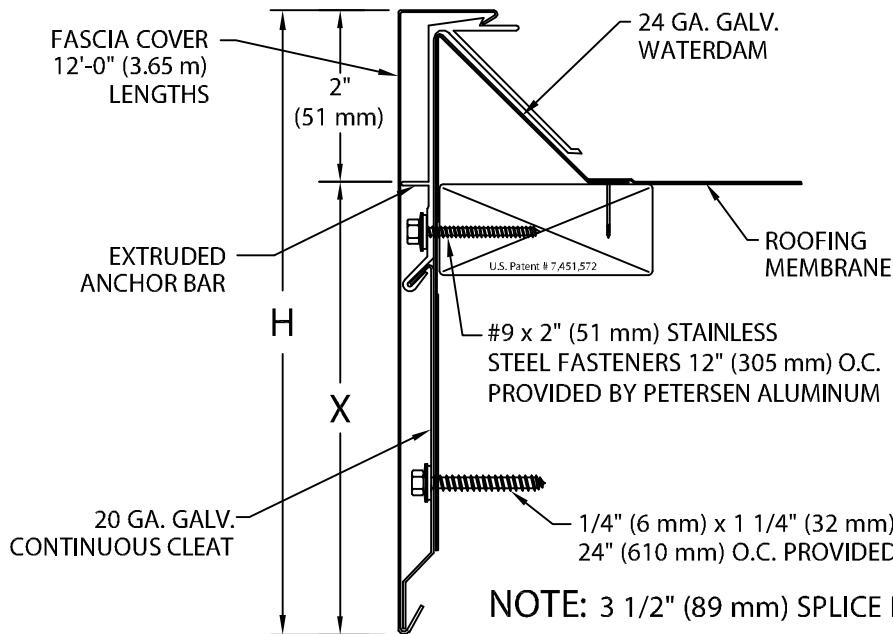




PAC-TITE WT EXTENDED CANTED FASCIA

GALVANIZED WATERDAM VERSION

ANSI/SPRI ES-1 DESIGN PRESSURE OF 190 psf



EXTRUDED PROFILE

NOTE: 3 1/2" (89 mm) SPLICE PLATES PROVIDED AT ALL JOINTS

Fascia is to be installed per Specifications and Petersen Aluminum's Installation Instructions Dwg. # 41110-12159

Unless otherwise specified 24 ga. galv. waterdam provided.
 by Petersen Aluminum by Contractor

PAC-TITE WT EXTENDED CANTED FASCIA DIMENSIONS

PRODUCT ID. NO.	H DIM	X DIM
<input type="checkbox"/> AEFC-902	9" (229 mm)	7" (178 mm)
<input type="checkbox"/> AEFC-1052	10 1/2" (267 mm)	8 1/2" (216 mm)
<input type="checkbox"/> AEFC-1202	12" (305 mm)	10" (254 mm)
<input type="checkbox"/> AEFC-1352	13 1/2" (343 mm)	11 1/2" (292 mm)

MATERIAL:

___ .050" (1.27 mm) Aluminum
 ___ .063" (1.60 mm) Aluminum
 ___ OTHER _____

Color: _____

Finish: _____

QUANTITIES:

___ Lineal Feet (12'-0" (3.65 m) Lengths)
 ___ Outside Miters @ (___°)
 ___ Inside Miters @ (___°)
 ___ Overflow Scupper Style ___A___B
 ___ Spillout Scupper Style ___A___B
 ___ Downspout Scupper Style ___A___B
 (___X___) Size A: Tapered 1 1/2" (38 mm) Drop
 B: Flat

Fabrication will proceed only after receipt of signed print approval.

Print Approval:

Architect and/or contractor shall verify all dimensions, sizes and quantities. All products to be installed in strict accordance with Petersen Aluminum's printed instructions.

Approved by: _____

Date: _____

PROJECT:

ARCHITECT:

ROOFING CONTRACTOR:

REPRESENTATIVE/DISTRIBUTOR:



Phone: 800-323-1960 Fax: 800-722-7150
 www.pac-clad.com
 e-mail: info@pac-clad.com

DATE: 12/17/13

DRN BY: JJC

CKD BY: SAK

SHT.# ___ OF ___

DWG# 41010-12160

C