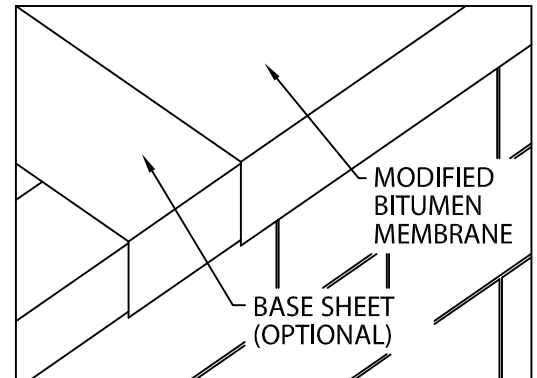


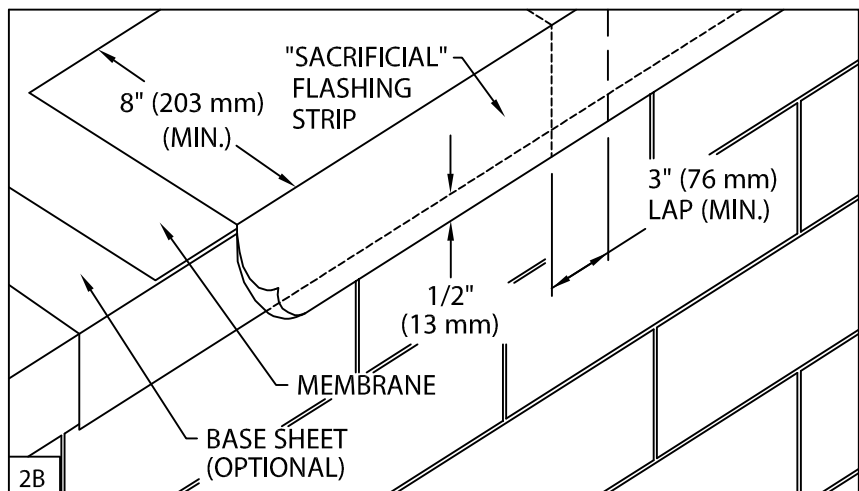
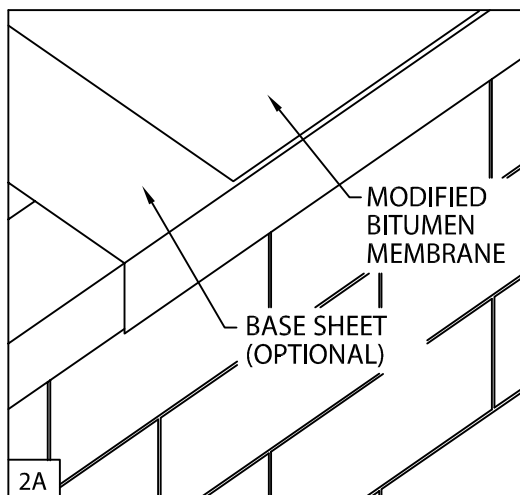
For Use With Modified Roof Systems

1. Roof Membrane

Follow the general recommendations of the roofing membrane manufacturer for membrane treatment at the roof edge. Position modified membrane over the roof edge and down the outside face as shown.



NOTE: Some manufacturers may require a "sacrificial" flashing strip. (Refer to drawing 2A & 2B) Please check with membrane manufacturer prior to installation.



2. Roof Edge

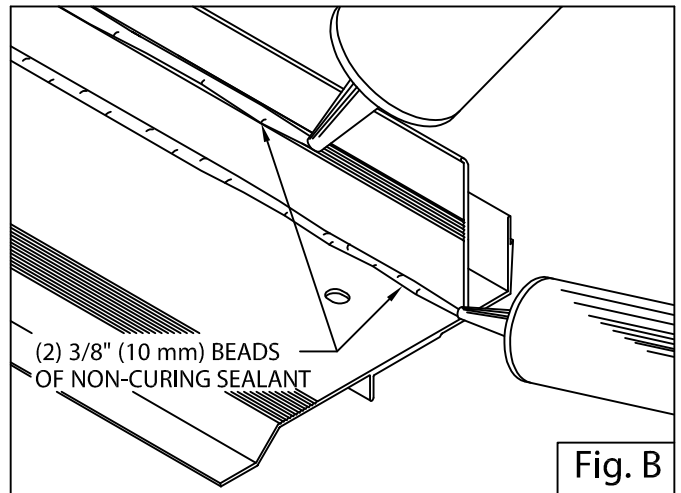
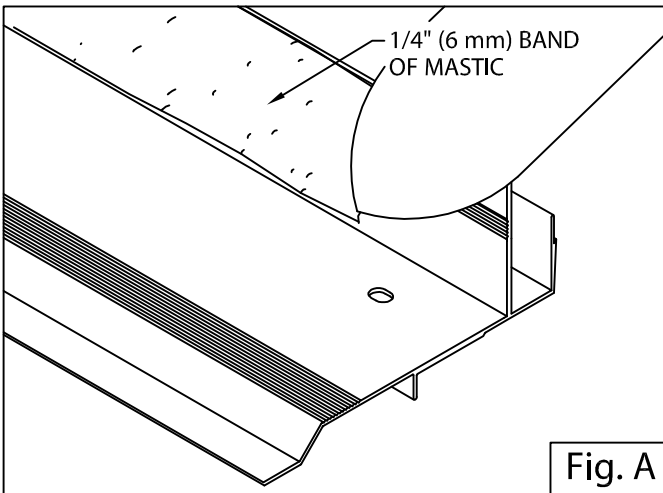
Install "sacrificial" flashing strips according to membrane manufacturers recommendations. Install the largest manageable lengths possible to minimize overlaps under the anchor bar. Following the applicable flashing method (hot mop, cold adhesive, etc..) according to the manufacturer's recommendations, lay the flashing strip into place extending a minimum 8" (203 mm) onto the roof membrane and down the outside face of wall, 1/2" (13 mm) beyond the wood nailer.

NOTE: In cold weather, the back of flashing strip should be treated appropriately and shorter lengths of flashing strips should be used.

PAC-TITE WT FASCIA

BUILT-UP OR MODIFIED VERSION

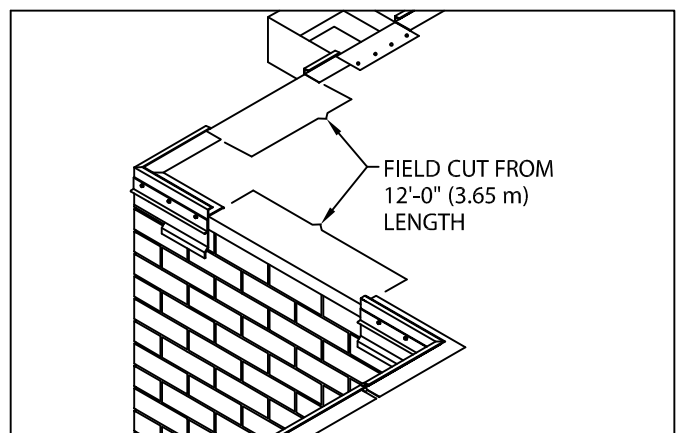
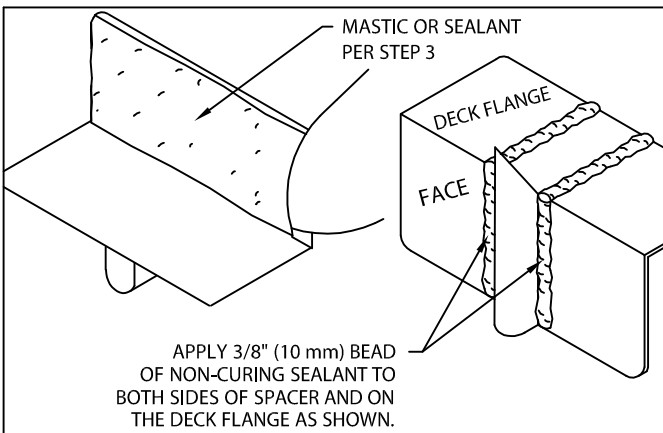
INSTALLATION INSTRUCTIONS



OPTIONAL INSTALL

3. Miter & Scupper Anchor Bar (Preparation)

Lay miters and spillout scuppers on deck with outside face down. Be sure aluminum anchor bar is clean and free of dirt or dust. Refer to Fig. A or B, depending on roofing manufacturer's recommendations. For Fig. A, Apply a 3" (76 mm) wide 1/4" (6 mm) thick band of mastic to the back of the anchor bar as shown. For Fig. B apply a heavy 3/8" (10 mm) bead of non-curing sealant to the back of anchor bar as shown. Application of either type of mastic or sealant is required along the full length of each miter anchor bar.



4. Anchor Bar Splice Plates

Apply mastic or sealant to each splice plate as shown and as described in STEP 3.

CAUTION! Installers shall wear protective eyewear to prevent injury. Do not over-drive fasteners, as stripping can occur at high driver torque. Recommended driving tool: 600-800 rpm electric drill equipped with depth-sensing nosepiece to prevent over-driving and stripout.

Do not use impact type tool.

5. Miter Bar Installation

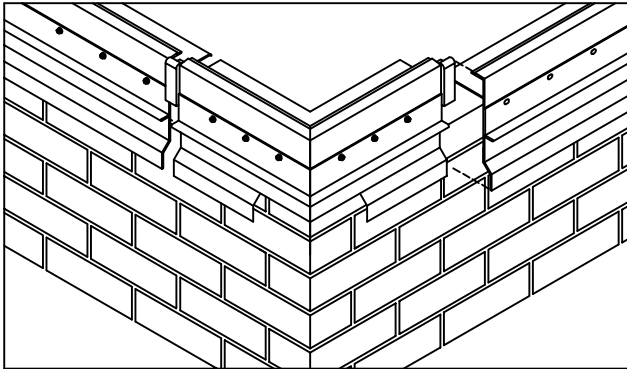
Install miters using 2" (51 mm) stainless steel fasteners and driver bit furnished by Petersen Aluminum. Fasten anchor bar corners to nailer with one splice plate under each end of corner. The anchor bar splice plate must be snug ends of anchor bar. Next locate and install spillouts and scuppers with mastic or sealant, 2" (51 mm) fasteners and anchor bar splice plates.

PAC-TITE WT FASCIA

BUILT-UP OR MODIFIED VERSION

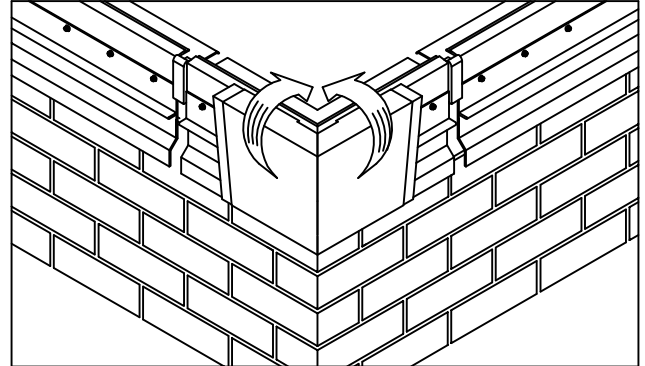
INSTALLATION INSTRUCTIONS

IMPORTANT! Be sure to remove protective plastic film prior to installing each fascia section.



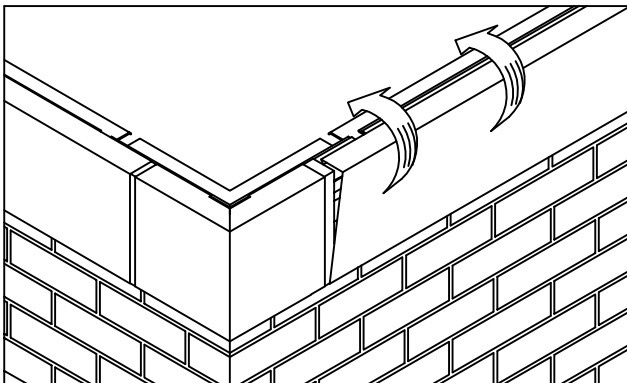
6. Anchor Bar Installation

Position 12' (3.65 M) anchor bar sections with applied non-curing sealant as shown in step 3, overlapping anchor bar splice plate. Allow $\frac{1}{2}$ " (13 mm) space between anchor bars. Install anchor bar splice plate at other end of bar section. Fasten anchor bar 12" (305 mm) O.C. through slotted holes using provided 2" (51 mm) fasteners. Field cut sections as necessary.



7. Fascia Miter Covers

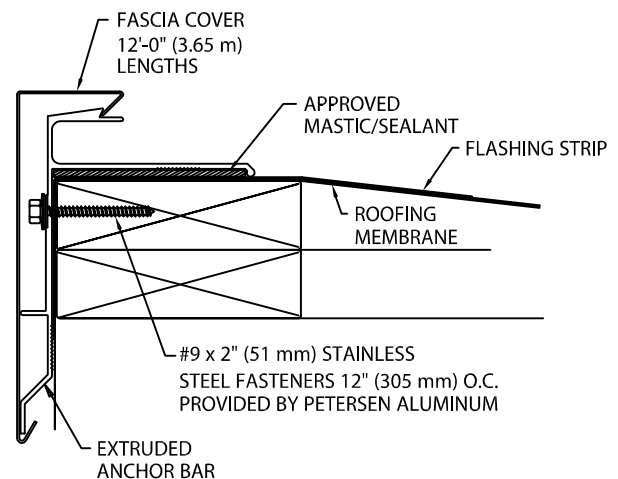
Install miter covers first. Insert one splice plate under each end of miter cover. Install miter covers by engaging cover onto bottom of anchor bar and rotating miter cover up and over anchor bar miter until engaged along entire length of the anchor bar.



8. Fascia Covers

Install 12'-0" (3.65 m) fascia cover sections. Allow a $\frac{3}{8}$ " (10 mm) gap between fascia cover sections. Insert one splice plate under far end of each fascia cover section. Install cover by hooking lower edge of cover onto anchor bar and rotating cover up and over anchor bar until engaged along entire length of cover section. Continue to install cover sections in this manner, field cutting where necessary using a fine tooth hacksaw.

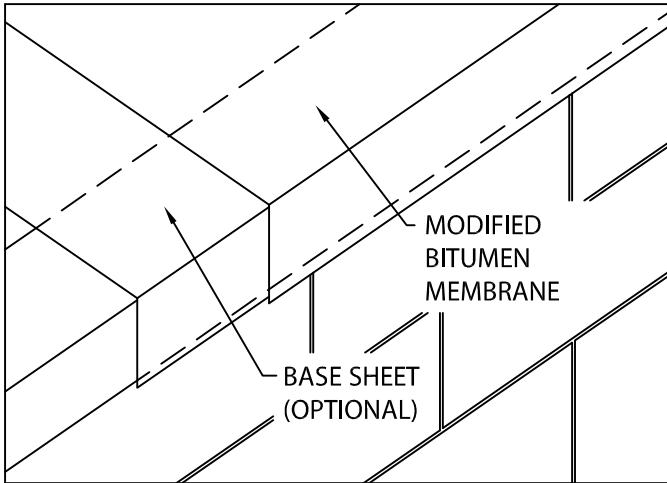
TYPICAL INSTALLATION



PAC-TITE WT FASCIA

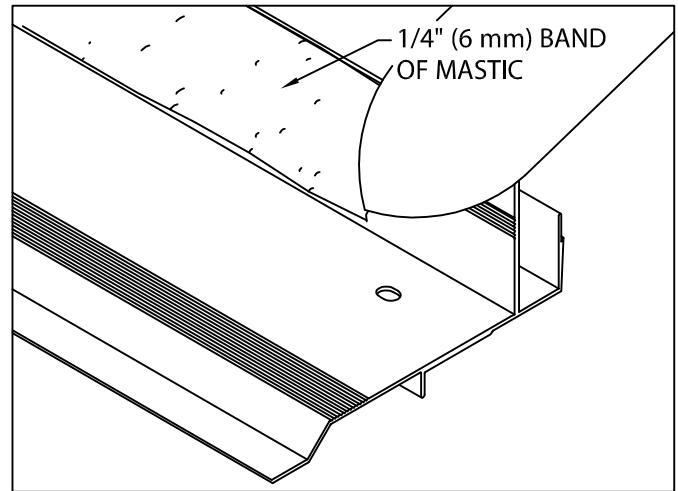
BUILT-UP OR MODIFIED VERSION

SCUPPER INSTALLATION INSTRUCTIONS



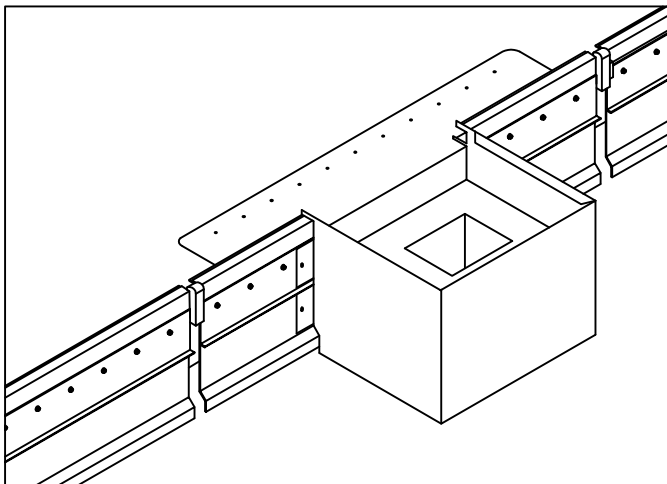
1. Roof Membrane

Follow the general recommendations of the roofing membrane manufacturer for membrane treatment at the roof edge. Position modified membrane over the roof edge and down outside face of wall as shown.



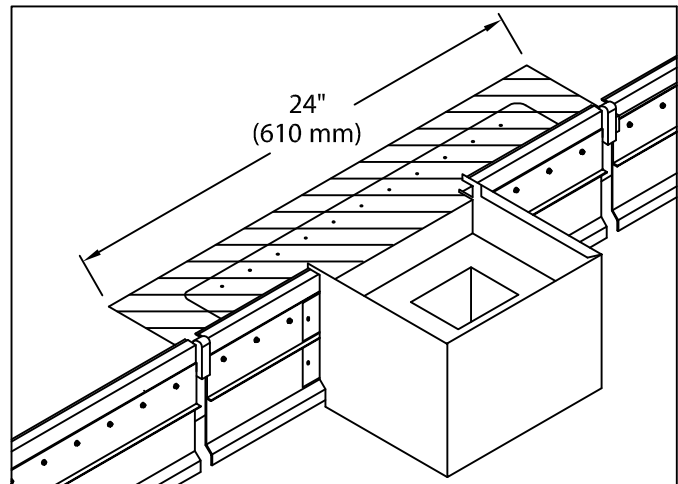
2. Scupper Anchor Bar (Preparation)

Lay miters and spillout scuppers on deck with outside face down. Be sure aluminum anchor bar is clean and free of dirt or dust. Apply a 3 1/2" (89 mm) wide 1/4" (6 mm) thick band of mastic to the back of the anchor bar as shown. Application of mastic is required along the full length of each miter anchor bar.



3. Scupper Installation

Install scuppers using 2" (51 mm) stainless steel fasteners. Fasten the scuppers to nailers with one splice plate under each end of scupper anchor bar. Position adjacent 12'-0" (3.65 m) sections butted snugly against splice plate EPDM gaskets.



4. Flashing Installation

Overlay scupper deck flange with flashing material as specified by membrane manufacturer.