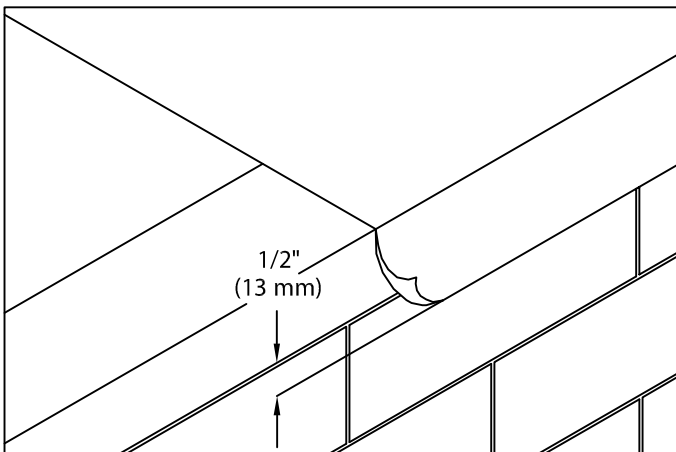


PAC SNAP EDGE

STONE BALLAST SINGLE-PLY VERSION

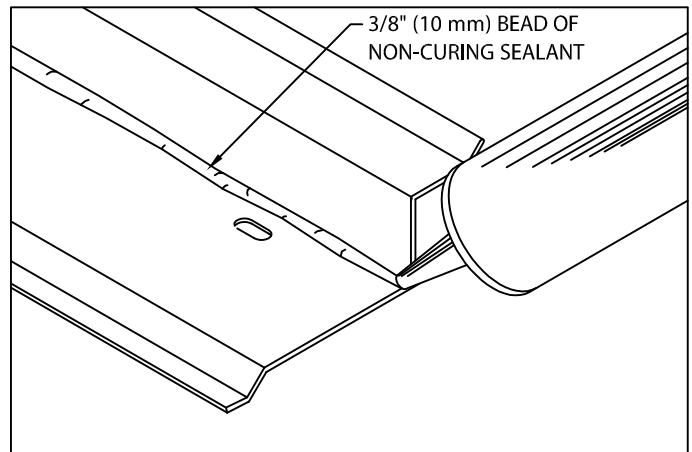
LAP JOINT VERSION INSTALLATION INSTRUCTIONS



1. Membrane

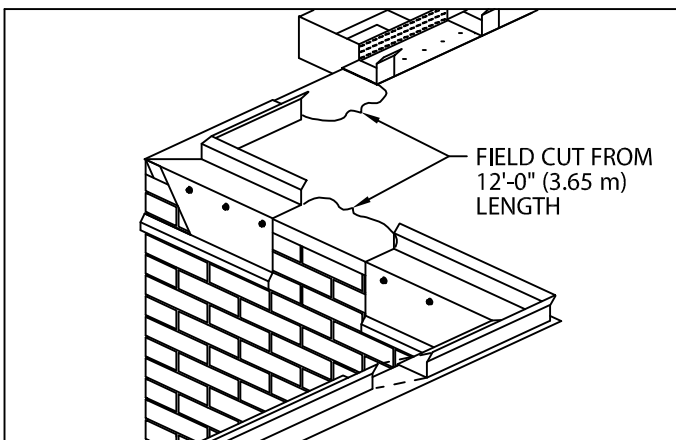
Position membrane over the roof edge and down outside face of wall, covering wood nailer(s) completely. Allow 1/2" (13 mm) excess membrane.

IMPORTANT! Outside edge of wood nailer(s) (minimum 2 x 4) shall be aligned flush with or extend slightly past outermost edge of wall.



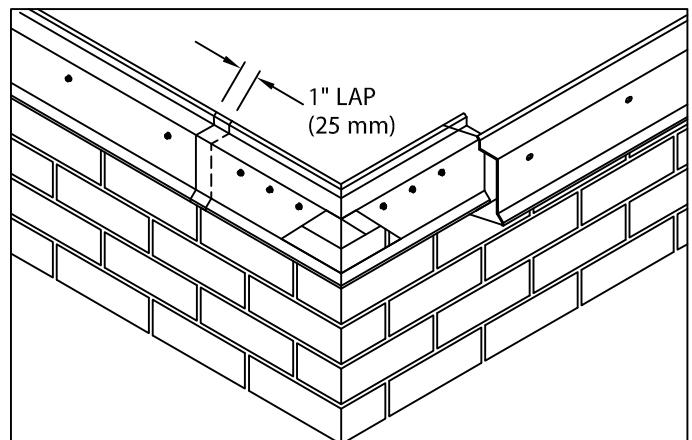
2. Miter & Scupper Base Rail (Preparation)

Lay miters and spillout scuppers on deck with outside face down. Be sure aluminum base rail is clean and free of dirt or dust. Apply a heavy 3/8" (10 mm) bead of non-curing sealant to the right angle intersection of the deck flange and back of base rail as shown. Application of sealant is required along the full length of each miter base rail.



3. Base Rail Miter Installation

Fold roofing membrane at corners and install miters using 2" (51 mm) hex head stainless steel fasteners and driver bit provided by Petersen Aluminum. Next locate and install spillouts and scuppers with sealant & 2" (51 mm) fasteners.



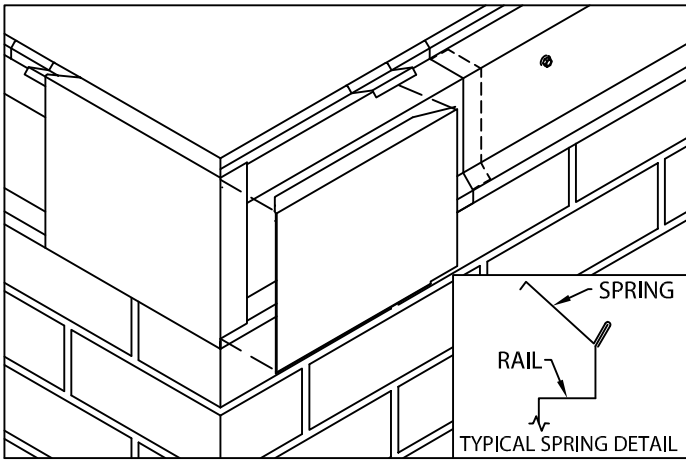
4. Base Rail Installation

Install 12'-0" (3.65 m) sections of base rail with non-curing sealant as shown in step 2. Install base rail from right to left, (as seen from roof top) lapping base rail joints 1" (25 mm). Fasten base rail 12" (305 mm) O.C. through slots using the 2" (51 mm) stainless steel fasteners provided. Field cut sections as necessary.

PAC SNAP EDGE

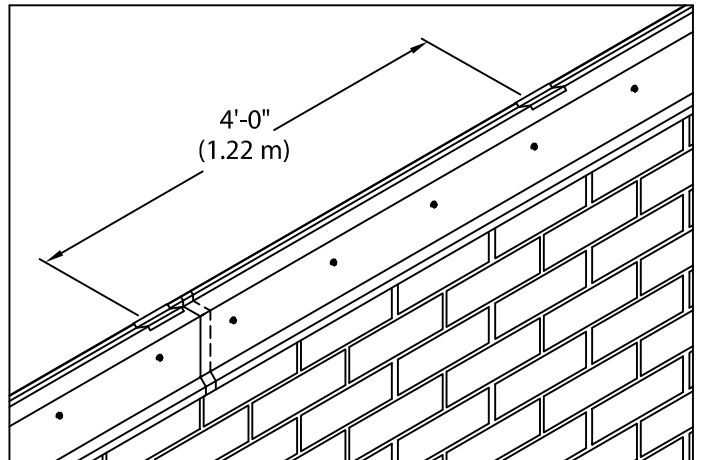
STONE BALLAST SINGLE-PLY VERSION

LAP JOINT VERSION INSTALLATION INSTRUCTIONS



5. Fascia Miter Covers

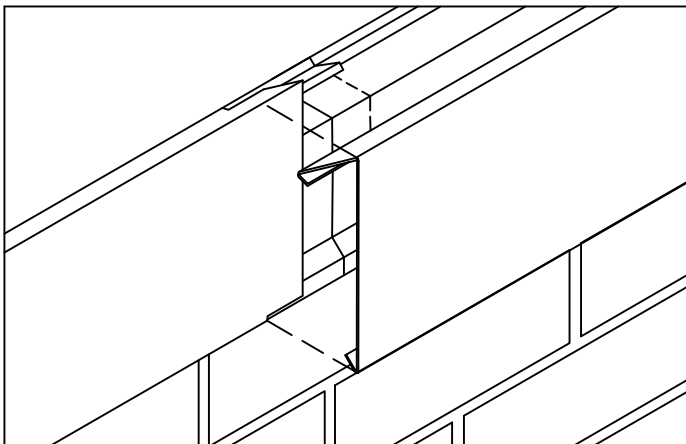
Position (2) 6" (152 mm) wide stainless steel springs at each end of fascia miter cover. Install 2-piece "snap-on" fascia miter covers first by snapping on fascia corner miter with 90° (degree) tab, followed by fascia cover without the tab. Simply position the cover atop base rail and with palm of hand apply slight pressure downward until engaged to base rail.



6. Spring Clips

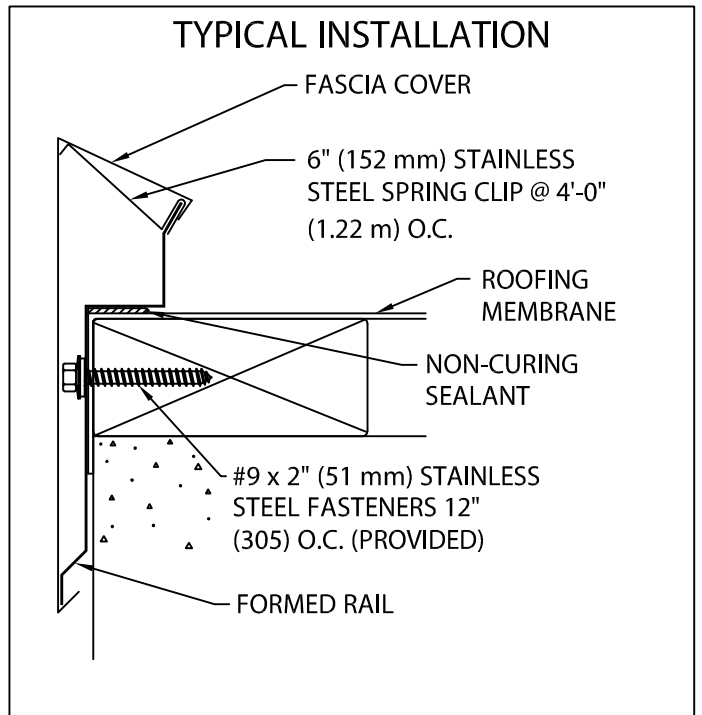
Position 6" (152 mm) wide stainless steel spring clips at 4'-0" (1.22 m) o.c. locating at fascia cover ends and at the midspan.

IMPORTANT! Be sure to remove protective plastic film prior to installing each fascia section.



7. Fascia Covers

Position 12'-0" (3.65 m) fascia covers on top of base rail and overlap preceding panel at a minimum of 1" (25 mm) at notches provided. Fascia covers shall be installed from right to left as seen from rooftop. With fascia covers in correct position atop base rail, simply snap each section onto base rail by applying downward pressure with palm of the hand until the fascia cover is fully engaged along the entire length. Continue to install fascia covers, field cutting where necessary using fine tooth hacksaw.



U.S. Patent # 5,927,023