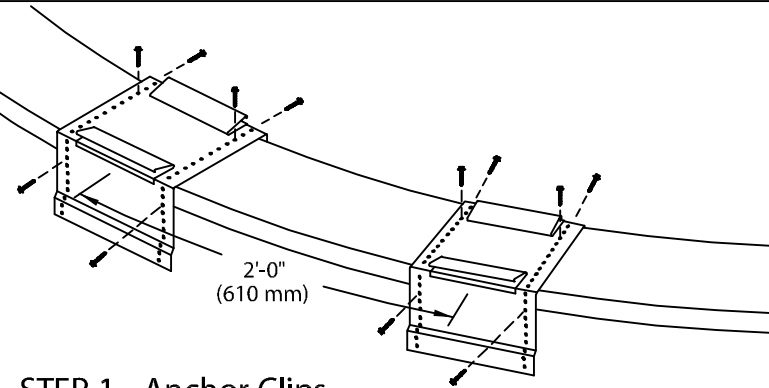


PAC-TITE GOLD RADIUS COPING

TAPERED VERSION - 2'-0" O.C.

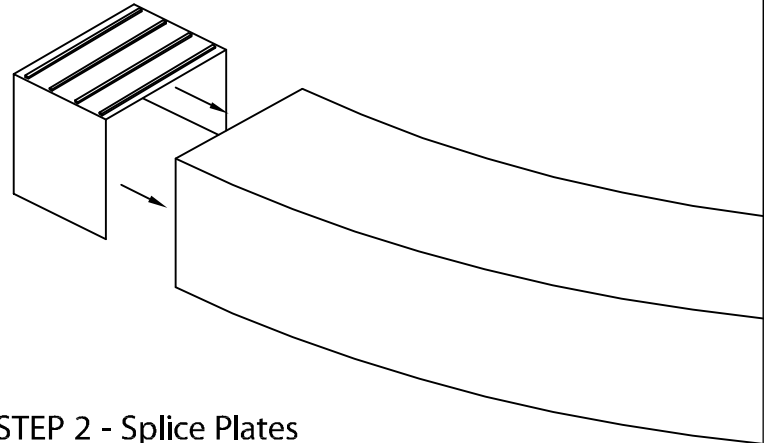
INSTALLATION INSTRUCTIONS

NOTE: Position roofing membrane up and over the top of the wall and down the outside face of the wall covering the treated wood nailer(s) completely. Allow 1/2" excess membrane if necessary.



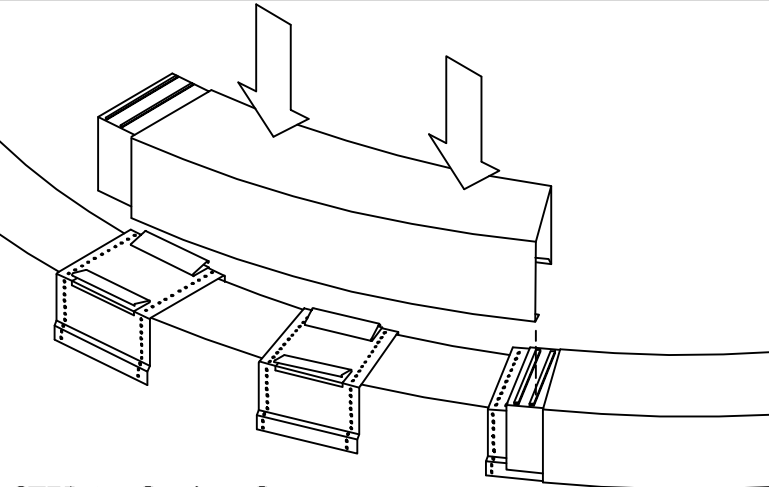
STEP 1 - Anchor Clips

Locate and fasten 8" (203 mm) wide anchor clips at 2'-0" (610 mm) O.C. with provided fasteners for substrate (see detail A).



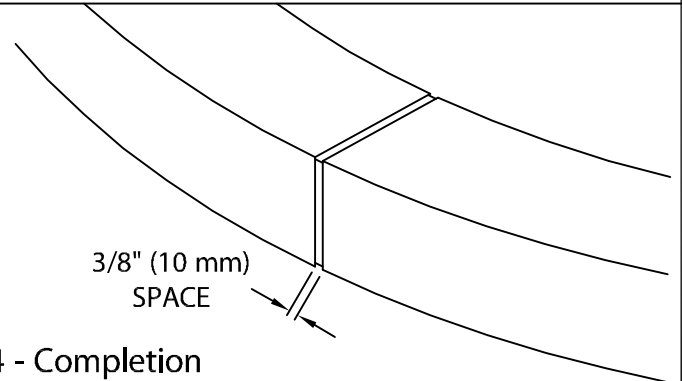
STEP 2 - Splice Plates

Remove release paper from left two sealant strips. Insert splice plate into the right end of radius section.



STEP 3 - Coping Cover

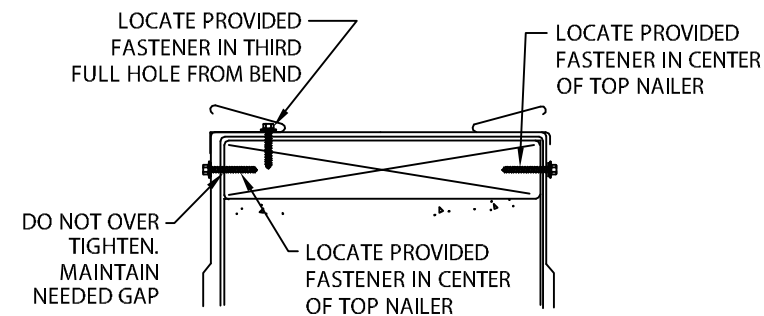
Remove release paper from right two factory applied sealant strips on the splice plate in the coping section. Install 4'-0" (1.22 m) radius coping sections from left to right. Place coping into position and press downward until snap-lock occurs.



STEP 4 - Completion

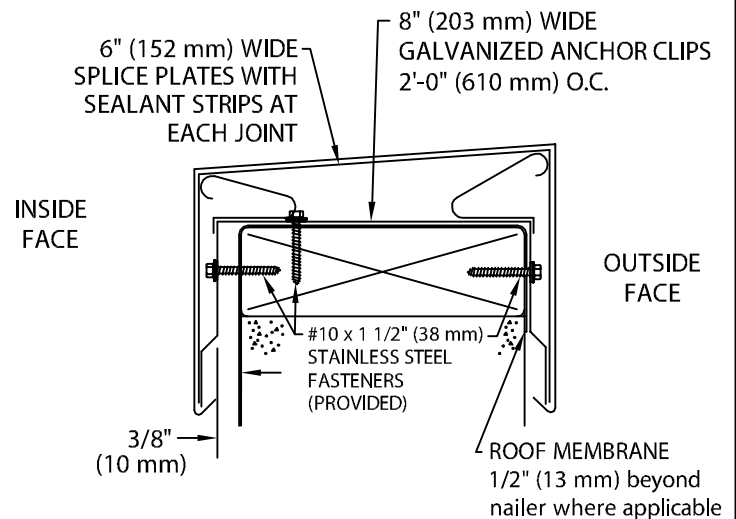
Continue installing coping with a 3/8" (10 mm) space at splice joints to allow for thermal expansion. Field cut where necessary using a fine tooth hacksaw or snips.

NOTE: REMOVE PROTECTIVE FILM IMMEDIATELY.



ANCHOR CLIP FASTENING-DETAIL A

TYPICAL COPING INSTALLATION



Phone: 800-323-1960 Fax: 800-722-7150

www.pac-clad.com

e-mail: info@pac-clad.com

DATE: 03/04/15

DRN BY: JJC

CKD BY: SAK

SHT.# ___ OF ___

DWG# 41111-21339

A