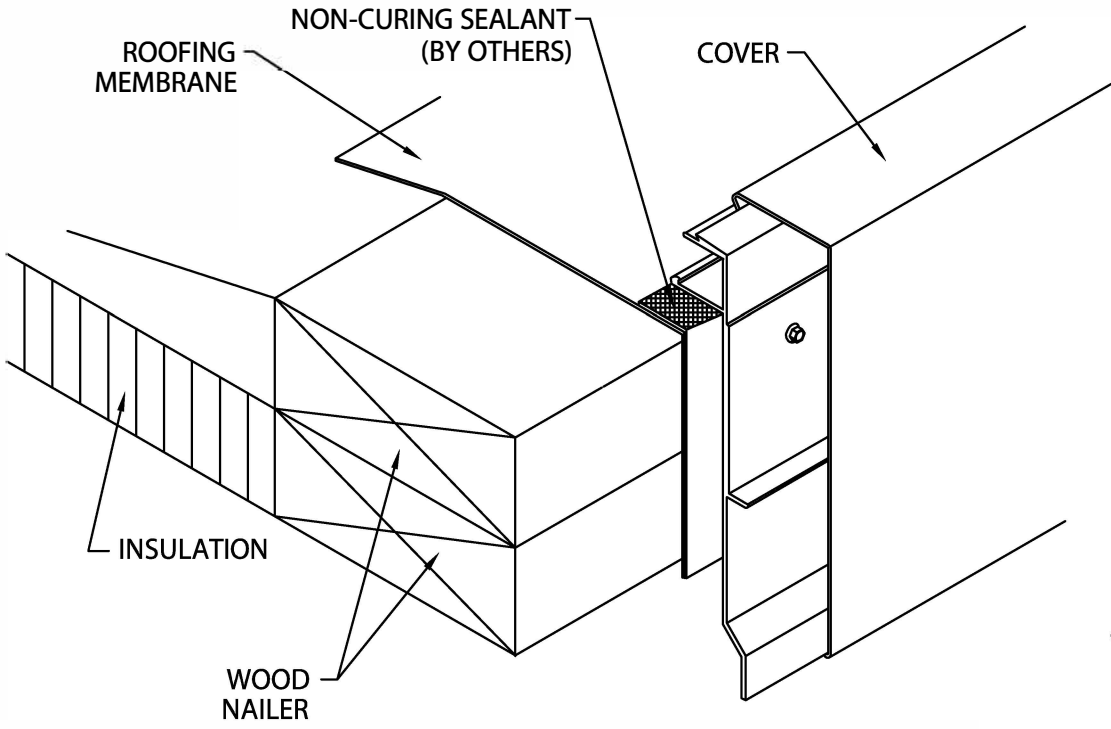


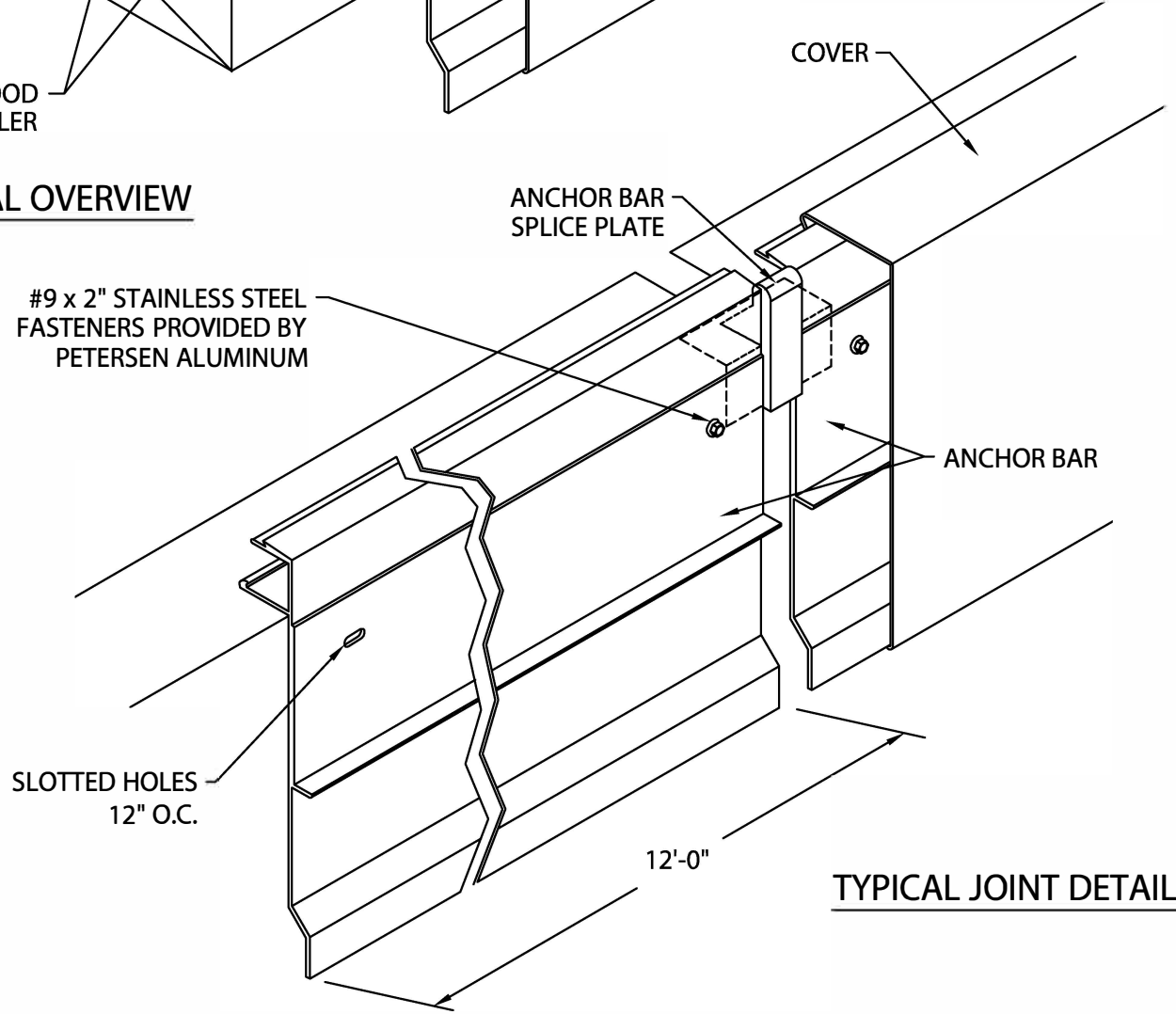
PAC-TITE WT FASCIA

FULLY ADHERED OR MECHANICALLY ATTACHED SINGLE-PLY VERSION

DETAILS



TYPICAL OVERVIEW



TYPICAL JOINT DETAIL



Phone: 800-323-1960 Fax: 800-722-7150
www.pac-clad.com
e-mail: info@pac-clad.com

DATE: 08/04/11
DRN BY: JJC
CKD BY: SAK

SHT.# ___ OF ___
DWG# 41510-12129

B