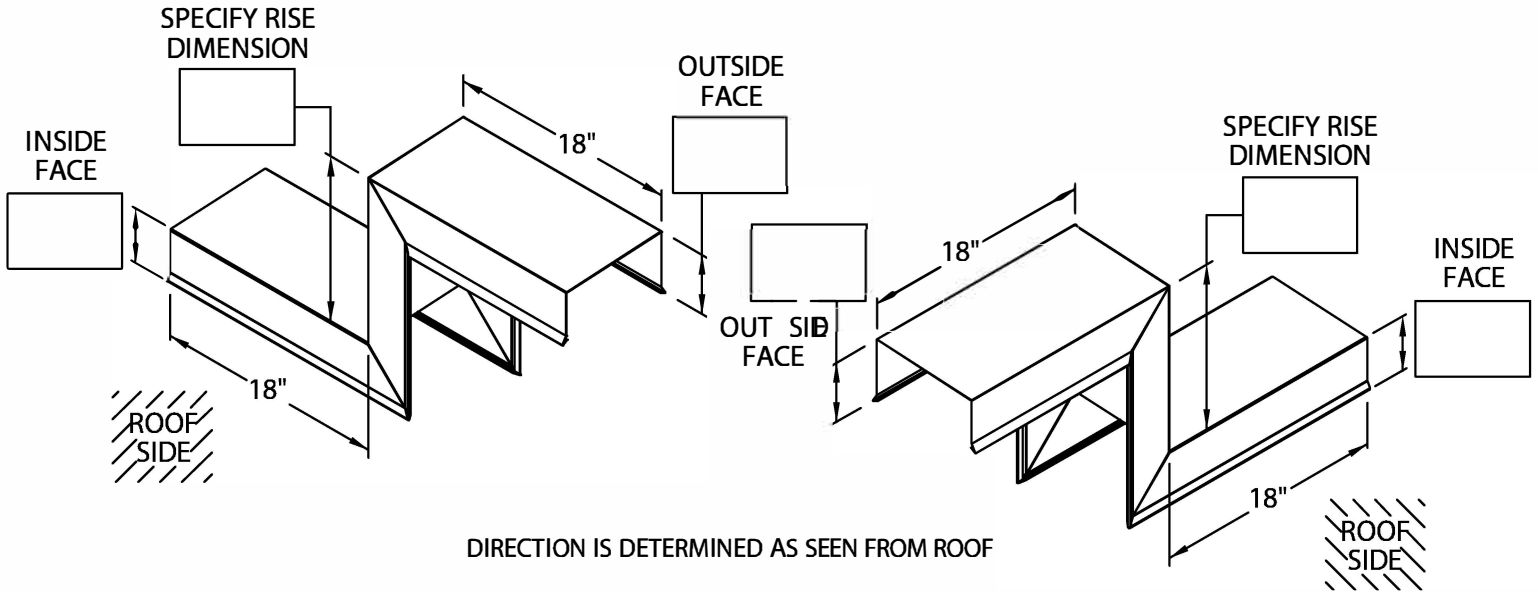


STEP-UP COPING MITERS

LEFT HAND STEP-UP MITER

RIGHT HAND STEP-UP MITER



DIRECTION IS DETERMINED AS SEEN FROM ROOF

FOR CUSTOM LEG LENGTHS MODIFY DRAWINGS ABOVE

NOTES:

- ① WELDED ACCESSORIES REQUIRE A MINIMUM MATERIAL THICKNESS OF .050".

MATERIAL:

- 24 GA. GALVANIZED STEEL
 22 GA. GALVANIZED STEEL
 .040" ALUMINUM
 .050" ALUMINUM
 .063" ALUMINUM
 OTHER _____
- COLOR: _____
FINISH: _____

QUANTITIES:

- RIGHT HAND STEP-UP MITER
 LEFT HAND STEP-UP MITER

SPECIFY ACCESSORY TYPE:
 WELDED ①
 QUICKLOCK

AUTHORIZED SIGNATURE: _____

APPROVED BY: _____

DATE: _____

PROJECT: _____

ARCHITECT: _____

ROOFING CONTRACTOR: _____

REPRESENTATIVE/DISTRIBUTOR: _____



PHONE: 800-323-1960 FAX: 800-722-7150
 WWW.PAC-CLAD.COM
 E-MAIL: INFO@PAC-CLAD.COM

DATE: 03/06/14

DRN BY: JJC

CKD BY: SAK

SHT.# _____ OF _____

DWG# 41011-12592

B