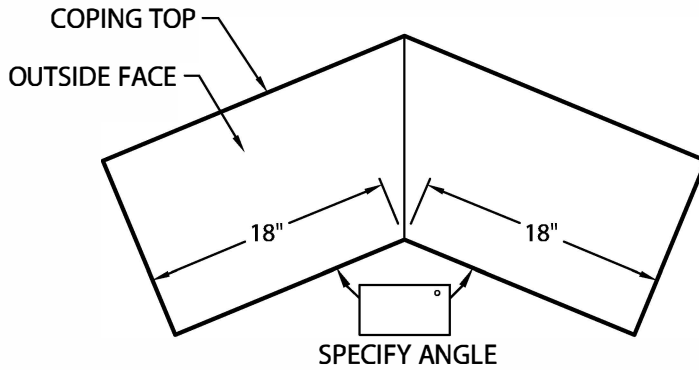


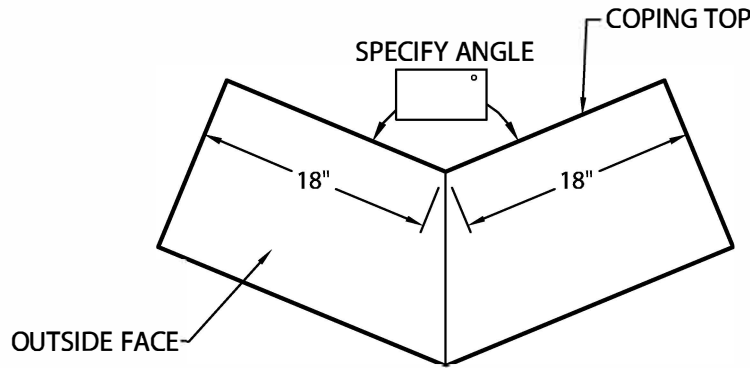
# PEAK AND VALLEY COPING MITERS

**PEAK MITER**  
FRONT VIEW SHOWN



WALL SIZE: \_\_\_\_\_  
FOR CUSTOM LEG LENGTHS  
MODIFY DRAWING ABOVE

**VALLEY MITER**  
FRONT VIEW SHOWN



WALL SIZE: \_\_\_\_\_  
FOR CUSTOM LEG LENGTHS  
MODIFY DRAWING ABOVE

**NOTES:**

① WELDED ACCESSORIES REQUIRE A MINIMUM MATERIAL THICKNESS OF .050".

**MATERIAL:**

- \_\_\_ 24 GA. GALVANIZED STEEL
  - \_\_\_ 22 GA. GALVANIZED STEEL
  - \_\_\_ .040" ALUMINUM
  - \_\_\_ .050" ALUMINUM
  - \_\_\_ .063" ALUMINUM
  - \_\_\_ OTHER \_\_\_\_\_
- COLOR: \_\_\_\_\_
- FINISH: \_\_\_\_\_

**QUANTITIES:**

\_\_\_ PEAK MITERS

\_\_\_ VALLEY MITERS

SPECIFY ACCESSORY TYPE:

WELDED ①

QUICKLOCK

AUTHORIZED SIGNATURE: \_\_\_\_\_

APPROVED BY: \_\_\_\_\_

DATE: \_\_\_\_\_

PROJECT: \_\_\_\_\_

ARCHITECT: \_\_\_\_\_

ROOFING CONTRACTOR: \_\_\_\_\_

REPRESENTATIVE/DISTRIBUTOR: \_\_\_\_\_



PHONE: 800-323-1960 FAX: 800-722-7150  
WWW.PAC-CLAD.COM  
E-MAIL: INFO@PAC-CLAD.COM

DATE: 03/06/14

DRN BY: JJC

CKD BY: SAK

SHT.# \_\_\_\_\_ OF \_\_\_\_\_

DWG# 41011-12947

**B**