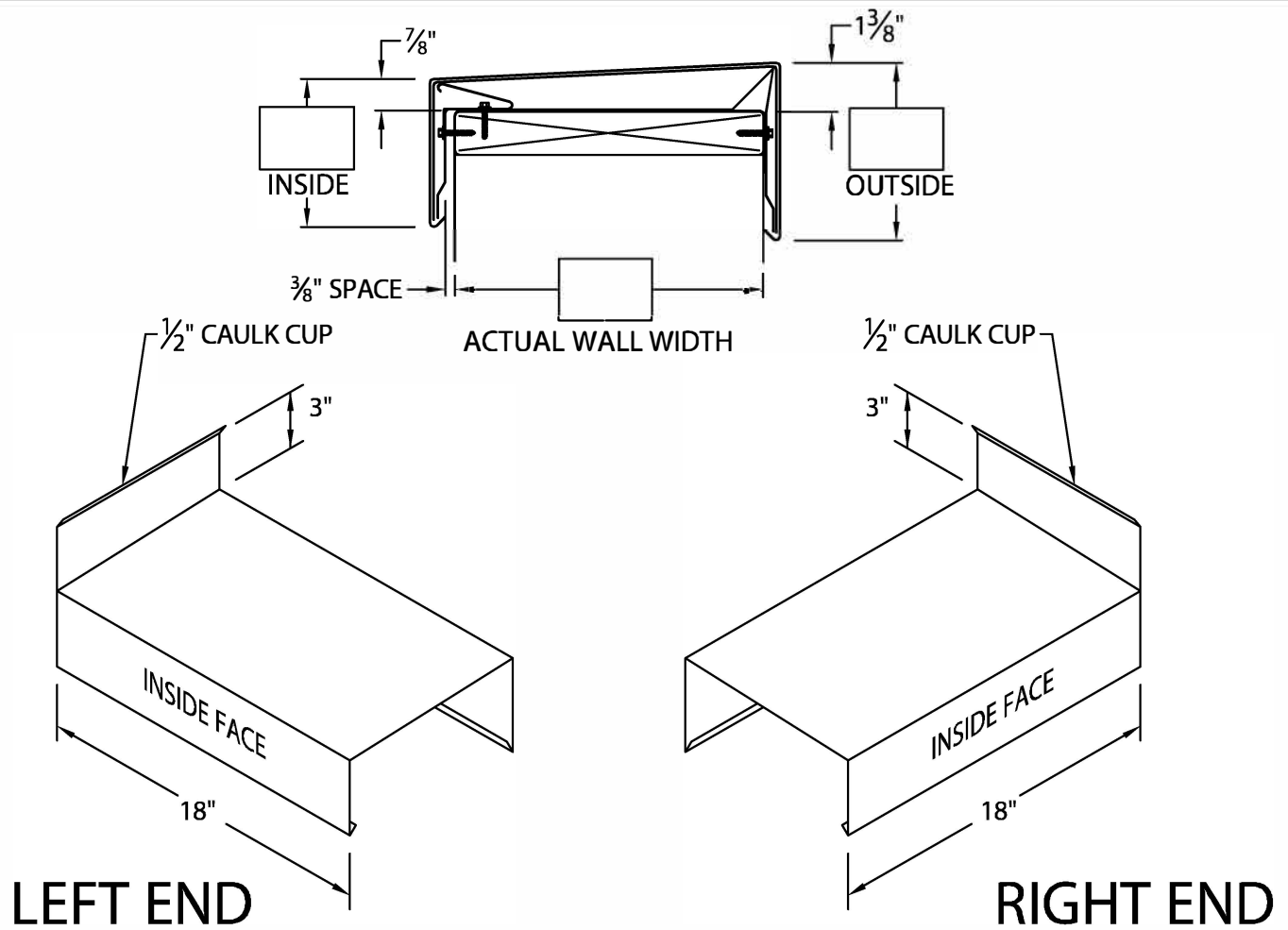


PAC-TITE GOLD COPING ENDWALL FLASHING

COPING VERSION



DIRECTION IS DETERMINED AS SEEN FROM ROOF SIDE

MATERIAL:

- 24 GA. GALVANIZED STEEL
 - 22 GA. GALVANIZED STEEL
 - .040" ALUMINUM
 - .050" ALUMINUM
 - .063" ALUMINUM
 - OTHER _____
- COLOR: _____
- FINISH: _____

QUANTITIES:

- RIGHT END FLASHING
- LEFT END FLASHING

AUTHORIZED SIGNATURE:

APPROVED BY: _____

DATE: _____

PROJECT:

ARCHITECT:

ROOFING CONTRACTOR:

REPRESENTATIVE/DISTRIBUTOR:



PHONE: 800-323-1960 FAX: 800-722-7150
 WWW.PAC-CLAD.COM
 E-MAIL: INFO@PAC-CLAD.COM

DATE: 03/04/15

DRN BY: JJC

CKD BY: SAK

SHT.# ____ OF ____

DWG# 41011-21335

A