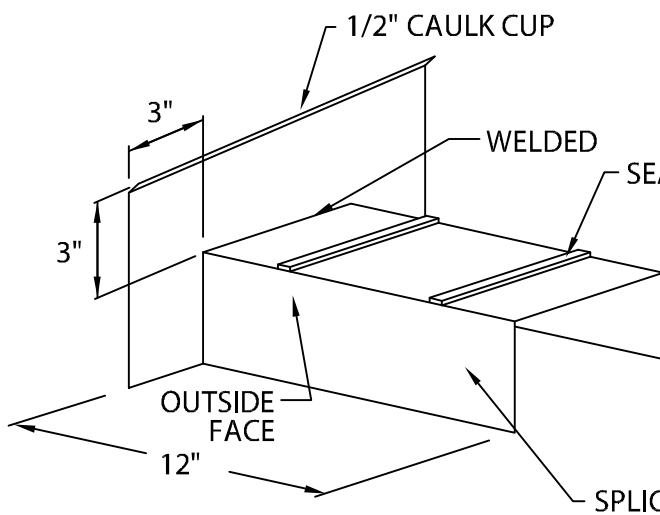
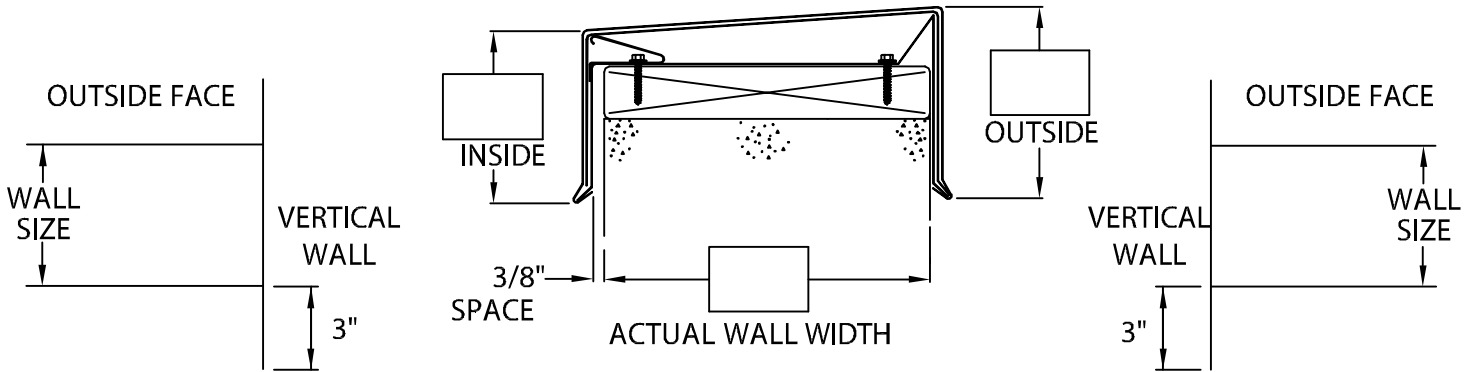
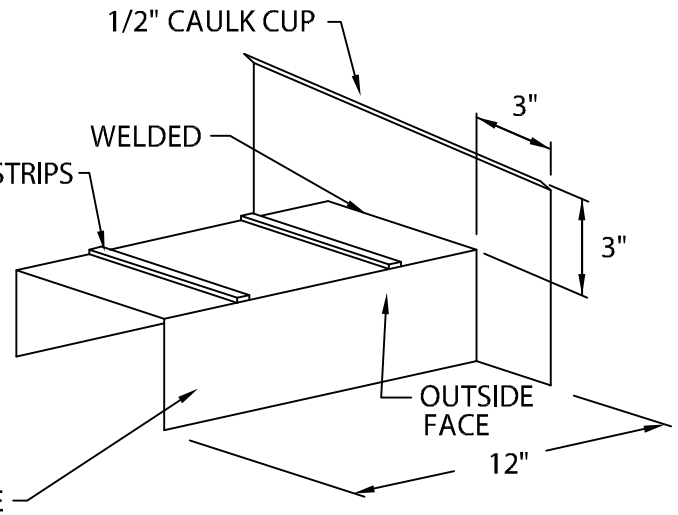


# ENDWALL FLASHING

## SPLICE PLATE VERSION



**RIGHT END**



**LEFT END**

DIRECTION IS DETERMINED AS SEEN FROM ROOF SIDE

**MATERIAL:** .040" ALUMINUM  
**COLOR:** \_\_\_\_\_  
**FINISH:** \_\_\_\_\_

**QUANTITIES:**  
 \_\_\_\_\_ RIGHT END FLASHING  
 \_\_\_\_\_ LEFT END FLASHING

**AUTHORIZED SIGNATURE:**  
**APPROVED BY:** \_\_\_\_\_  
**DATE:** \_\_\_\_\_

**PROJECT:** \_\_\_\_\_  
**ARCHITECT:** \_\_\_\_\_  
**ROOFING CONTRACTOR:** \_\_\_\_\_  
**REPRESENTATIVE/DISTRIBUTOR:** \_\_\_\_\_



PHONE: 800-323-1960 FAX: 800-722-7150  
 WWW.PAC-CLAD.COM  
 E-MAIL: INFO@PAC-CLAD.COM

**DATE:** 03/07/14  
**DRN BY:** JJC  
**CKD BY:** SAK  
**SHT.#** \_\_\_\_ **OF** \_\_\_\_  
**DWG#** 41011-12593

**B**