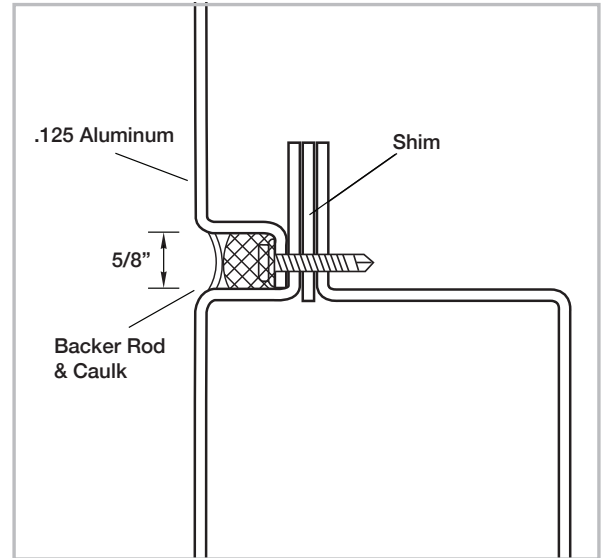
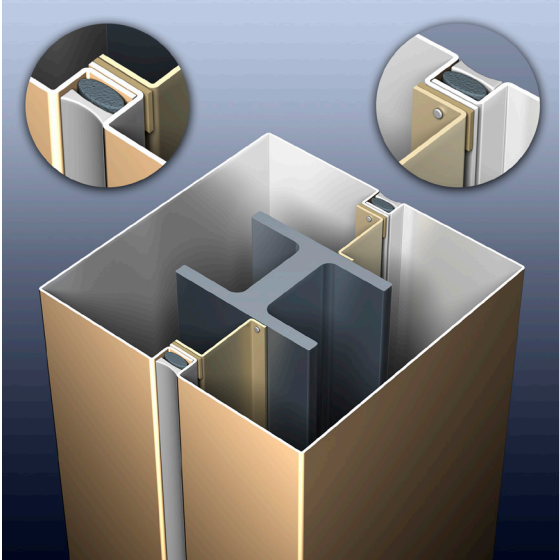


# PAC-2000C

## CAULK JOINT COLUMN COVER



Petersen's line of column covers offers architects superior design flexibility for structural beam applications, both interior and exterior. Utilizing a wide range of materials, including aluminum in an unmatched range of standard and custom colors, anodized aluminum, aluminum composite and stainless steel, Petersen can custom fabricate to meet the most demanding specifications.

- ▶ The PAC 2000C Caulk Joint column cover is designed to leave a small open vertical reveal where the sections meet. Backer rod and caulk are applied to the vertical reveal joint to complete the installation.
- ▶ The PAC 2000C square column covers can be fabricated to various widths.

- ▶ Please contact Petersen for complete details regarding our fabrication flexibility and capabilities.

### MATERIALS

- ▶ .063 - .125 aluminum
- ▶ 4mm composite aluminum
- ▶ 16 gauge stainless steel