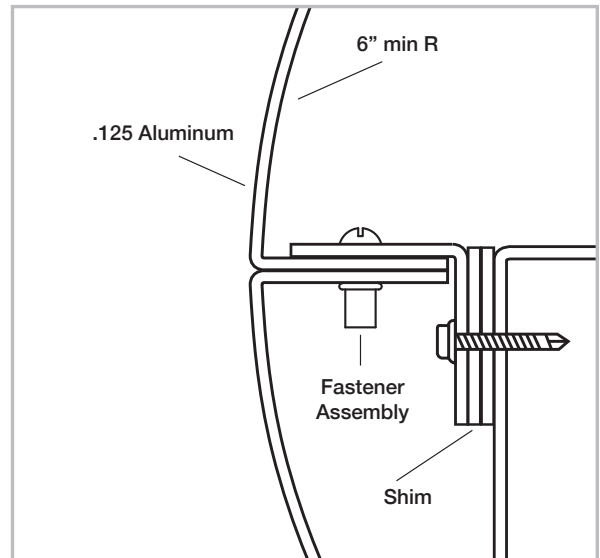
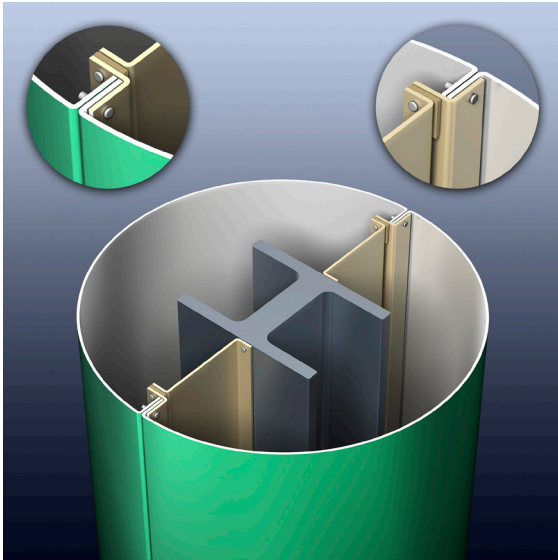


PAC-1000F

FLUSH JOINT COLUMN COVER



Petersen's line of column covers offers architects superior design flexibility for structural beam applications, both interior and exterior. Utilizing a wide range of materials, including aluminum in an unmatched range of standard and custom colors, anodized aluminum, aluminum composite and stainless steel, Petersen can custom fabricate to meet the most demanding specifications.

- ▶ The design of the PAC-1000F Flush Joint column cover allows for a clean, precise installation, revealing only a hairline joint. The column sections are assembled using a rivnut/keyhole system to provide a tight inconspicuous vertical seam.
- ▶ The PAC-1000F round column covers can be fabricated to various diameters.

- ▶ Please contact Petersen for complete details regarding our fabrication flexibility and capabilities.

MATERIALS

- ▶ .063 - .125 aluminum
- ▶ 4mm composite aluminum
- ▶ 16 gauge stainless steel