



DEPARTMENT OF REGULATORY AND ECONOMIC RESOURCES (RER)
BOARD AND CODE ADMINISTRATION DIVISION

NOTICE OF ACCEPTANCE (NOA)

MIAMI-DADE COUNTY
PRODUCT CONTROL SECTION
11805 SW 26 Street, Room 208
Miami, Florida 33175-2474
T (786) 315-2590 F (786) 315-2599
www.miamidade.gov/economy

Petersen Aluminum Corporation
102 Northpoint Parkway
Acworth, GA 30102

SCOPE:

This NOA is being issued under the applicable rules and regulations governing the use of construction materials. The documentation submitted has been reviewed and accepted by Miami-Dade County RER-Product Control Section to be used in Miami Dade County and other areas where allowed by the Authority Having Jurisdiction (AHJ).

This NOA shall not be valid after the expiration date stated below. The Miami-Dade County Product Control Section (In Miami Dade County) and/or the AHJ (in areas other than Miami Dade County) reserve the right to have this product or material tested for quality assurance purposes. If this product or material fails to perform in the accepted manner, the manufacturer will incur the expense of such testing and the AHJ may immediately revoke, modify, or suspend the use of such product or material within their jurisdiction. RER reserves the right to revoke this acceptance, if it is determined by Miami-Dade County Product Control Section that this product or material fails to meet the requirements of the applicable building code.

This product is approved as described herein, and has been designed to comply with the Florida Building Code, including the High Velocity Hurricane Zone.

DESCRIPTION: PAC-CLAD 0.032" Thick Aluminum Corrugated Wall Panel

APPROVAL DOCUMENT: Drawing No. 210313-1, titled "Petersen 0.032" Aluminum 2.67" X 7/8" Corrugated Panel", sheets 1 through 7 of 7, dated 03/22/2013, with revision dated 04/11/2013, prepared by the manufacturer, signed and sealed by C. Keith Brasher, P.E., bearing the Miami-Dade County Product Control approval stamp with the Notice of Acceptance number and approval date by the Miami-Dade County Product Control Section.

MISSILE IMPACT RATING: Large and Small Missile Impact Resistant

LABELING: A permanent label with the manufacturer's name or logo, manufacturing plant's city and state, model/series, and the statement reading 'Miami-Dade County Product Control Approved' is to be located on each panel.

RENEWAL of this NOA shall be considered after a renewal application has been filed and there has been no change in the applicable building code negatively affecting the performance of this product.

TERMINATION of this NOA will occur after the expiration date or if there has been a revision or change in the materials, use, and/or manufacture of the product or process. Misuse of this NOA as an endorsement of any product, for sales, advertising or any other purposes shall automatically terminate this NOA. Failure to comply with any section of this NOA shall be cause for termination and removal of NOA.

ADVERTISEMENT: The NOA number preceded by the words Miami-Dade County, Florida, and followed by the expiration date may be displayed in advertising literature. If any portion of the NOA is displayed, then it shall be done in its entirety.

INSPECTION: A copy of this entire NOA shall be provided to the user by the manufacturer or its distributors and shall be available for inspection at the job site at the request of the Building Official.

This NOA consists of this page 1 and evidence page E-1, as well as approval document mentioned above. The submitted documentation was reviewed by **Carlos M. Utrera, P.E.**



[Handwritten Signature]
05/01/2013

NOA No. 12-1219.10
Expiration Date: May 9, 2018
Approval Date: May 9, 2013
Page 1

NOTICE OF ACCEPTANCE: EVIDENCE SUBMITTED

A. DRAWINGS

1. Drawing No. **210313-1**, titled "Petersen 0.032" Aluminum 2.67" X 7/8" Corrugated Panel", sheets 1 through 7 of 7, dated 03/22/2013, with revision dated 04/11/2013, prepared by the manufacturer, signed and sealed by C. Keith Brasher, P.E.

B. TESTS

1. Test reports on 1) Uniform Static Air Pressure Test, Loading per FBC TAS 202-94
2) Cyclic Wind Pressure Loading per FBC, TAS 203-94
along with marked-up drawings of 0.032" Aluminum 2.67" x 7/8" Corrugated Panel, prepared by Architectural Testing, Inc., Test Report No. **C4100.01-450-18**, dated 01/15/2013, signed and sealed by Vinu J. Abraham, P.E.

C. CALCULATIONS

1. None.

D. QUALITY ASSURANCE

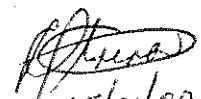
1. Miami-Dade Department of Regulatory and Economic Resources (RER)

E. MATERIAL CERTIFICATIONS

1. None.

F. STATEMENTS

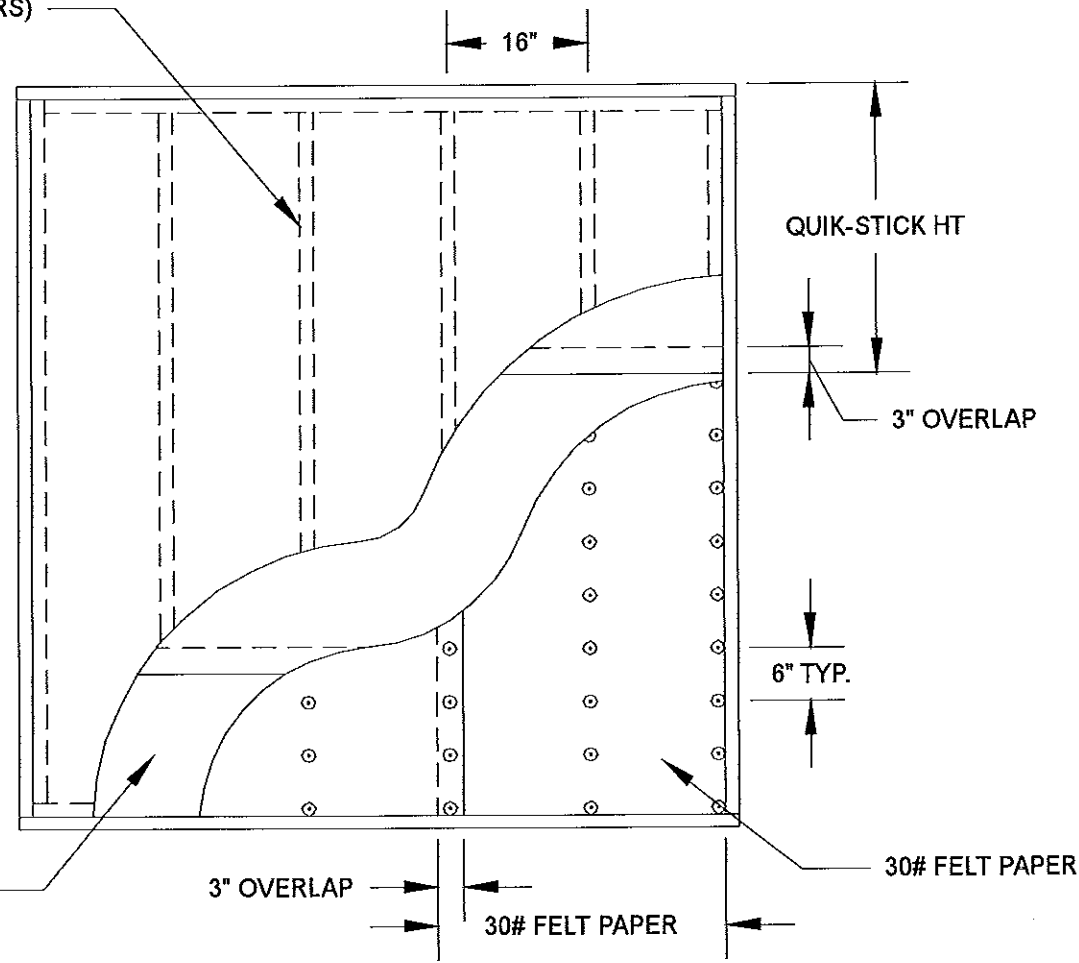
1. Statement letter of code conformance to 2010 FBC and no financial interest issued by GTA Design, dated 03/29/2013, signed and sealed by C. Keith Brasher, P.E.



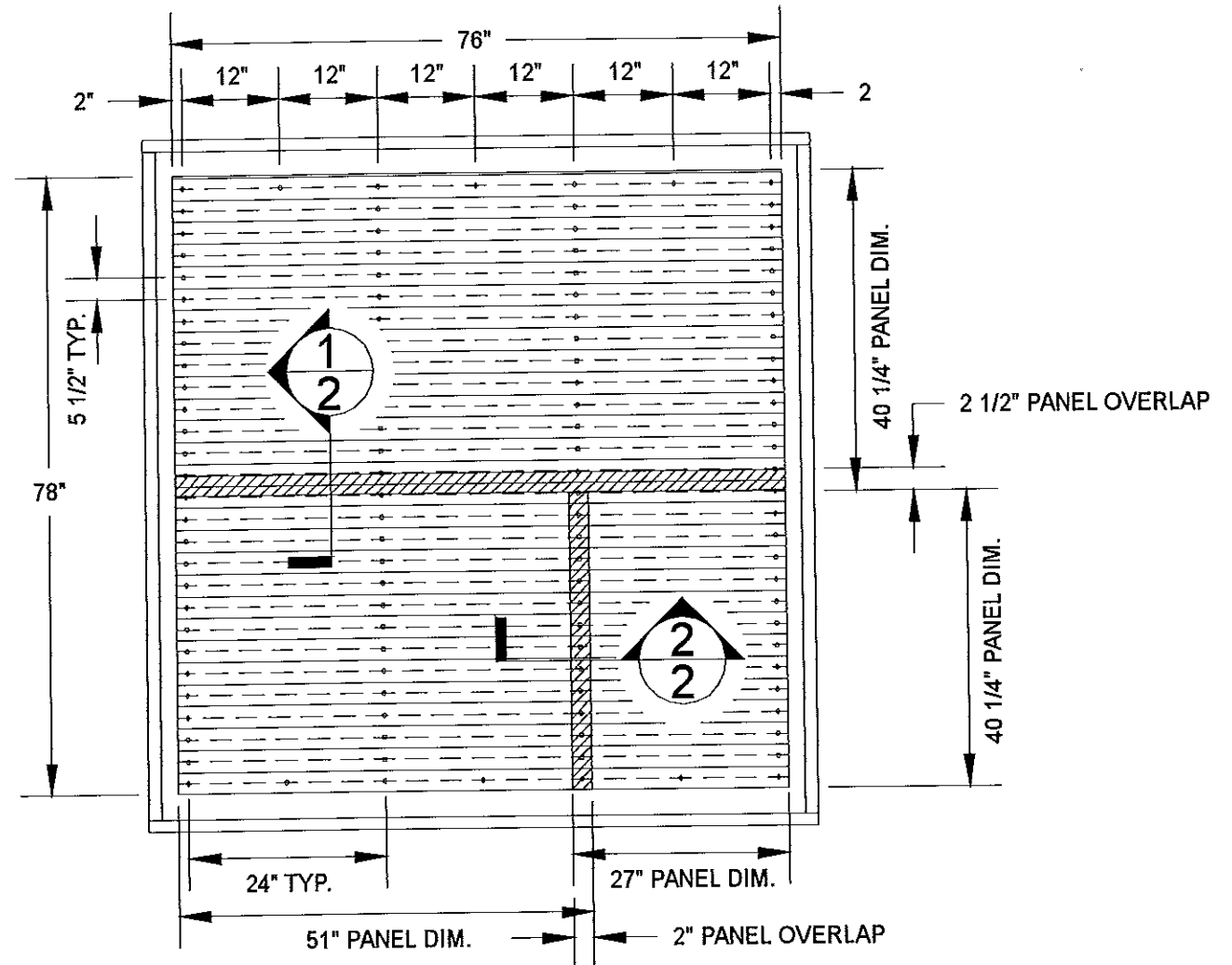
05/01/2013

Carlos M. Utrera, P.E.
Product Control Examiner
NOA No. 12-1219.10
Expiration Date: May 9, 2018
Approval Date: May 9, 2013

2" X 6" #2 SYP WALL STUDS (BY OTHERS)



SHEATHING SYSTEM ELEVATION N.T.S.



PANEL ELEVATION N.T.S.

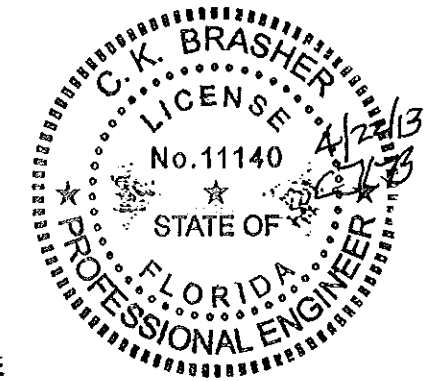
ANCHORAGE AND ATTACHMENT NOTES:
 5/8" PLYWOOD SHEATHING TO STRUCTURAL SUPPORT FRAME.
 #12 X 2 1/2" WOOD SCREWS AT 6" O.C.

FELT PAPER.
 0.120" X 1 1/2" GALVANIZED ANNULAR RING SHANK ROOFING NAILS WITH 32ga TIN CAPS SPACED 6" O.C. IN EACH ROW. EACH ROW WAS TYPICALLY SPACED 18" APART.
 NOTE: THERE WAS A 3" OVERLAP BETWEEN ADJACENT SHEETS OF FELT PAPER.


MOISTURE BARRIER:
 A SINGLE LAYER FO QUIK-STICK HT MEMBRANE WAS APPLIED ACROSS THE ENTIRE SURFACE OF THE FELT PAPER. A 3" OVERLAP WAS USED WHEN LAYING ADJACENT SHEETS OF QUIK-STICK HT MEMBRANE. THE QUIK-STICK HT MEMBRANE WAS APPLIED HORIZONTALLY OVER THE FELT PAPER.

*ALL FASTENERS MUST BE CORROSION RESISTANT PER FBC 2411.3.3.4
 **STEEL & OTHER DISSIMILAR MATERIALS IN CONTACT WITH ALUMINUM SHALL BE PROTECTED PER FBC 2003.8.4.2

Approved as complying with the
 Florida Building Code
 Date 05/09/2013
 NOA# 12-1219.10
 Miami Dade Product Control
 By *[Signature]*



C. Keith Brasher, PE
 805 Melbourne Trail
 Alpharetta, GA 30004-6519

DRAWING NUMBER 210313-1 (12-1219.10)	 PAC CLAD PETERSEN ALUMINUM CORPORATION 102 NORTHPOINT PARKWAY, BLDG 102 ACWORTH, GA 30102 PH: 77-0427-6378 FAX: 770-420-2533	PROJECT NAME PETERSEN 0.032" ALUMINUM 2.67" X 7/8" CORRUGATED PANEL	REVISION 11 APR 2013	DATE 22 MAR 2013	SHEET 1 OF 7
		ENGINEER OF RECORD C. KEITH BRASHER, PE. - FL #11140		DRAWN BY DLT	

0.032" ALUMINUM 2.67" x 7/8"
CORRUGATED PANEL

#10 x 1 1/2" HHSMS WITH
RUBBER WASHER AT 5 1/2" O.C.
IN EACH ROW. EACH ROW WAS
SPACED 24" O.C.

2 1/2"
PANEL OVERLAP

#14 x 3/4" TEK SCREW
WITH RUBBER WASHER
AT 12" O.C. & 2" FROM ENDS

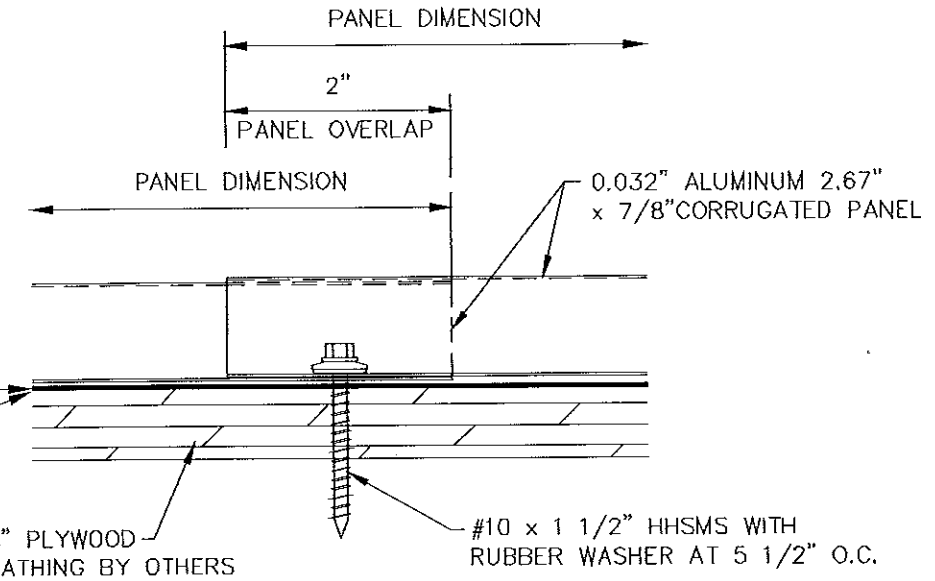
5/8" PLYWOOD
SHEATHING BY OTHERS

30# FELT
PAPER

QUIK-STICK HT
MEMBRANE



TYP. HORIZONTAL
RIB LAP DETAIL



TYP. VERTICAL
PANEL LAP DETAIL

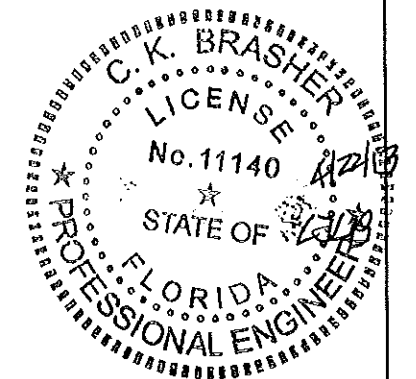
Approved as complying with the
Florida Building Code
Date 05/09/2013
NOA# 12-1219.10
Miami Dade Product Control

By

DESIGN PRESSURE: -120PSF

ALUMINUM ALLOY & TEMPER

ALLOY	TEMPER
3105	H14



*ALL FASTENERS MUST BE CORROSION RESISTANT PER FLORIDA BUILDING CODE 2411.3.3.4

DRAWING NUMBER

210313-1

(12-1219.10)



PAC CLAD
PETERSEN ALUMINUM CORPORATION
102 NORTHPOINT PARKWAY, BLDG 102
ACWORTH, GA 30102
PH: 77-0427-6378 FAX: 770-420-2533

PROJECT NAME

PETERSEN 0.032" ALUMINUM 2.67" X 7/8" CORRUGATED PANEL

ENGINEER OF RECORD

C. KEITH BRASHER, PE. - FL #11140

REVISION

11 APR 2013

DATE

22 MAR 2013

DRAWN BY

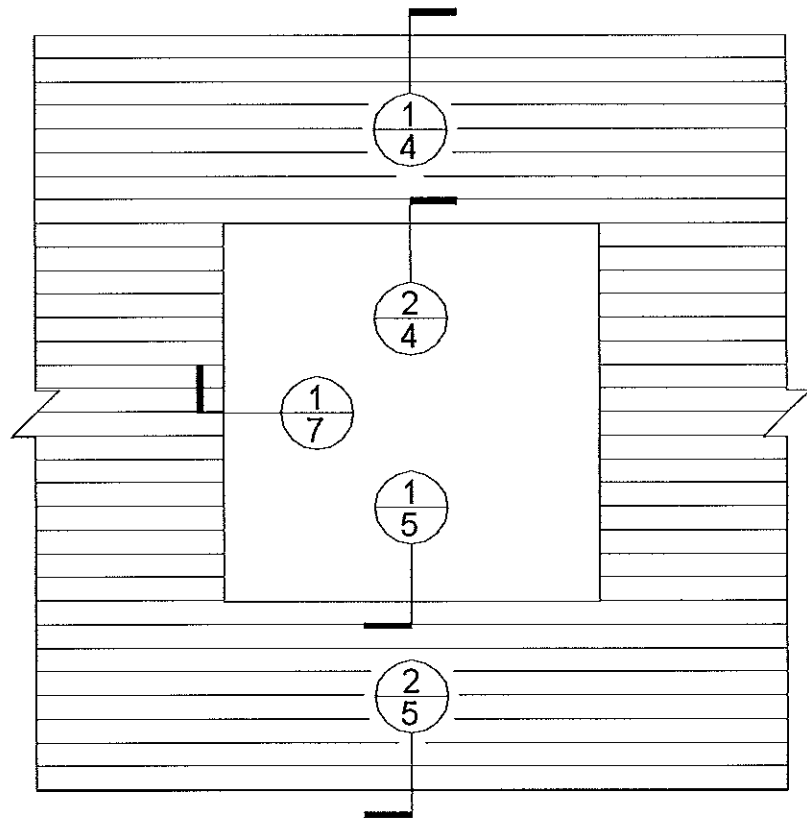
DLT

SHEET

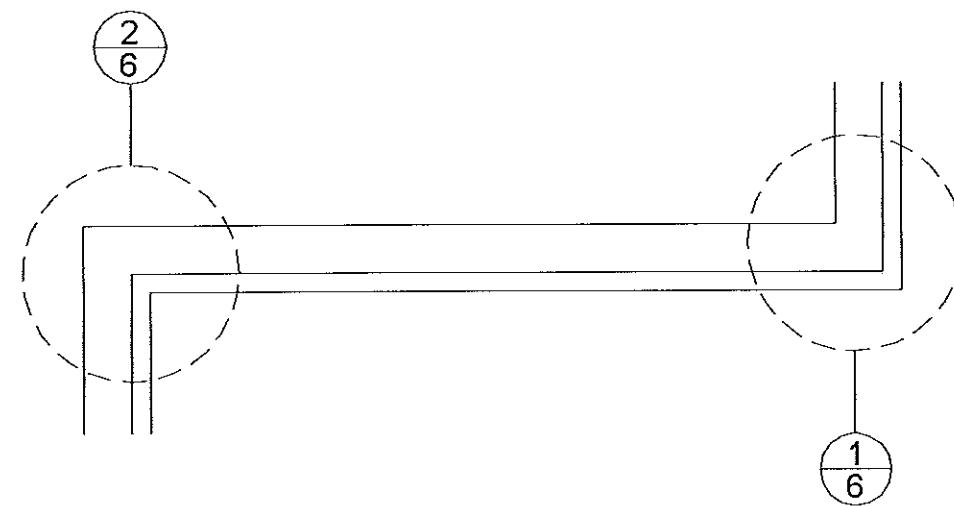
2

OF

7

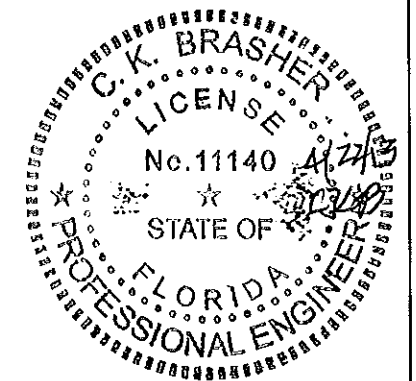



TYP. ELEVATION

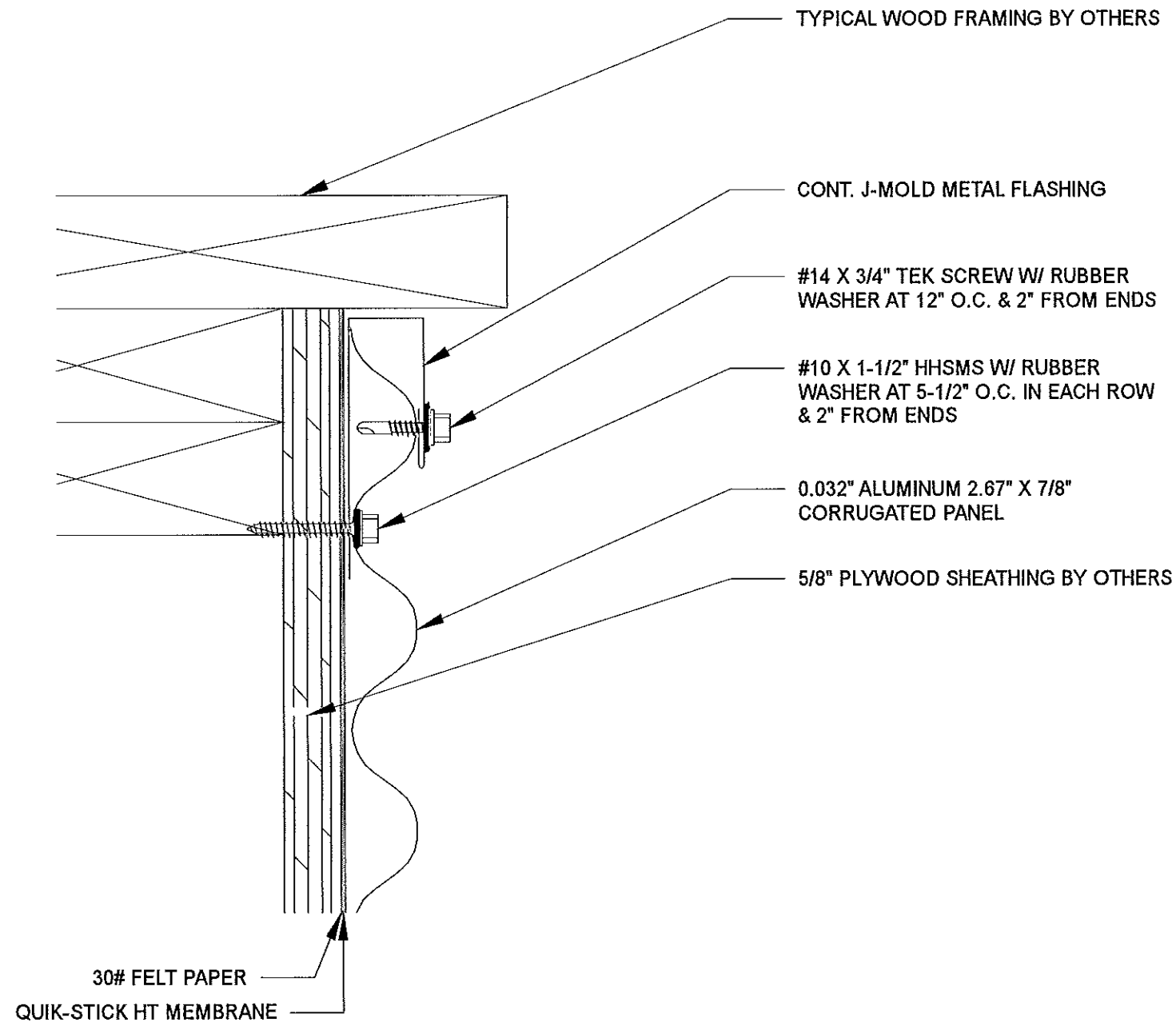


TYP. WALL SECTION

Approved as complying with the
 Florida Building Code
 Date 05/09/2013
 NOA#12-1219.10
 Miami Dade Product Control
 By *[Signature]*

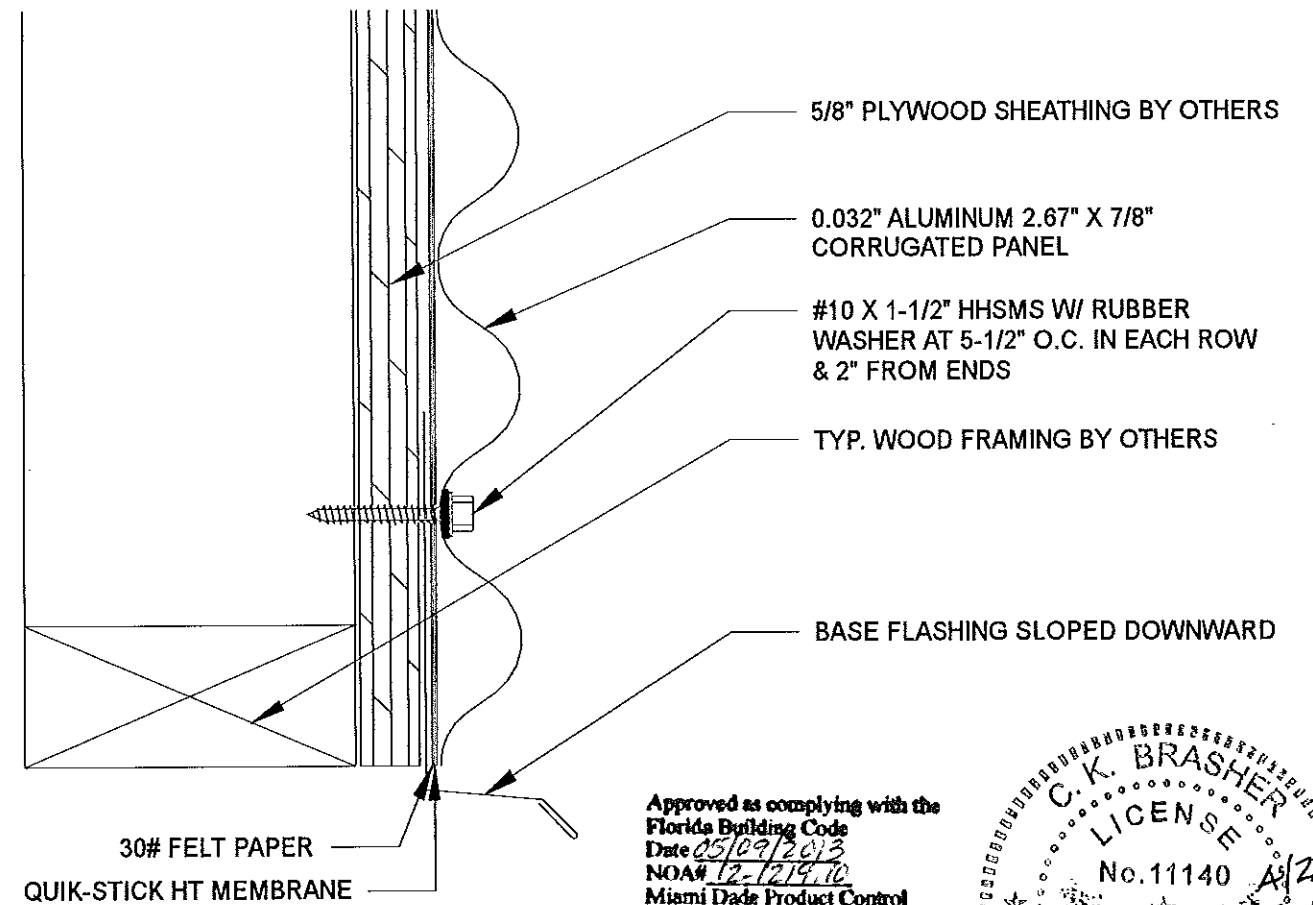


DRAWING NUMBER 210313-1 (12-1219.10)		PAC CLAD PETERSEN ALUMINUM CORPORATION 102 NORTHPOINT PARKWAY, BLDG 102 ACWORTH, GA 30102 PH: 77-0427-6378 FAX: 770-420-2533	PROJECT NAME	REVISION	DATE	SHEET 3 OF 7
			PETERSEN 0.032" ALUMINUM 2.67" X 7/8" CORRUGATED PANEL ENGINEER OF RECORD C. KEITH BRASHER, PE. - FL #11140	11 APR 2013	22 MAR 2013	
					DRAWN BY DLT	



1/4

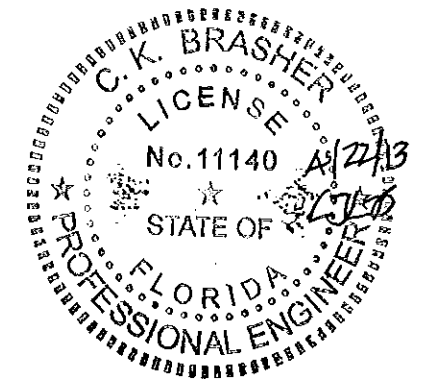
TYP. PARAPET DETAIL
HORIZONTAL PANELS




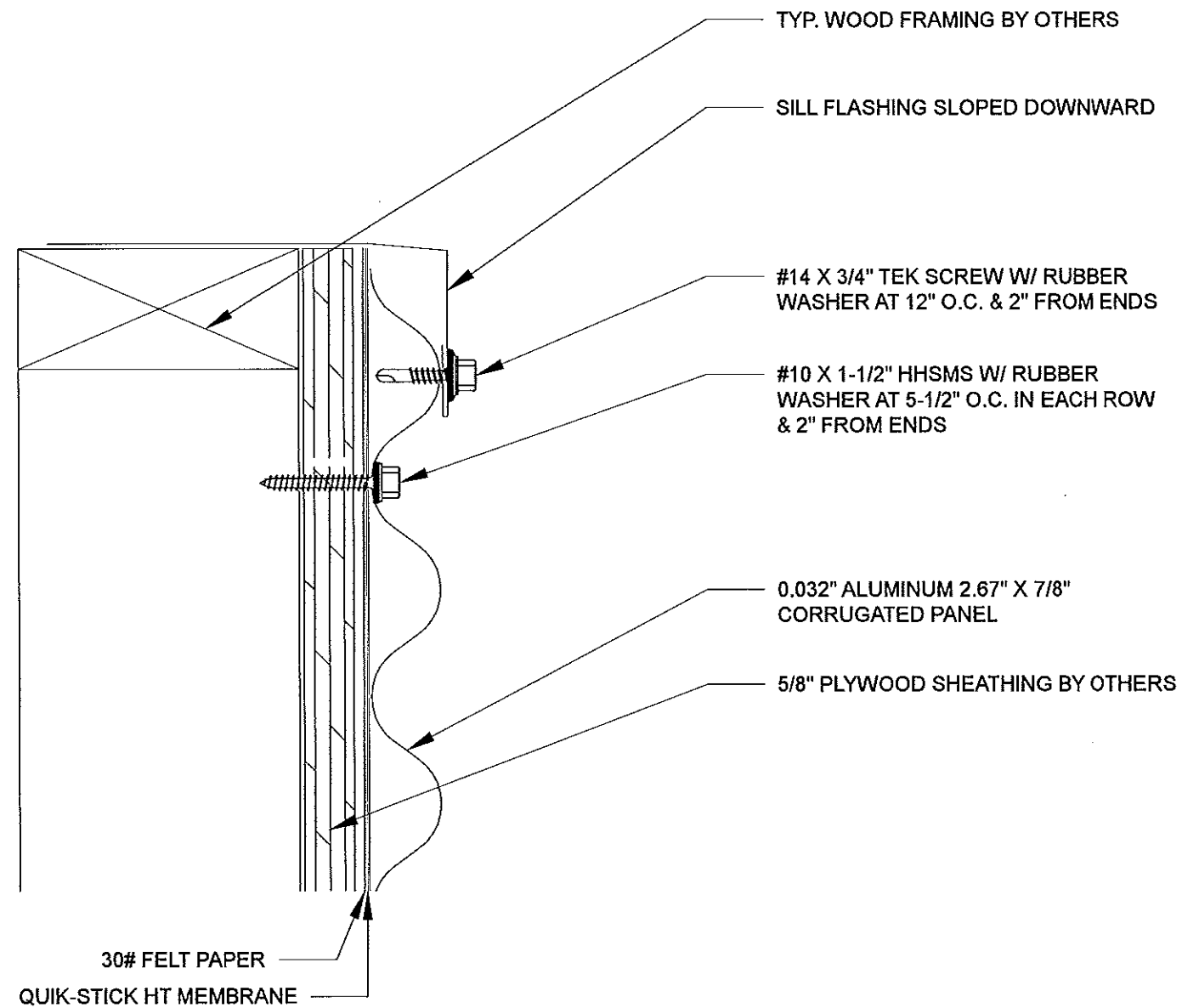
2/4

TYP. DOOR/WINDOW HEADER DETAIL
HORIZONTAL PANELS

Approved as complying with the
Florida Building Code
Date 05/09/2013
NOA# 12-1219.10
Miami Dade Product Control
By *[Signature]*

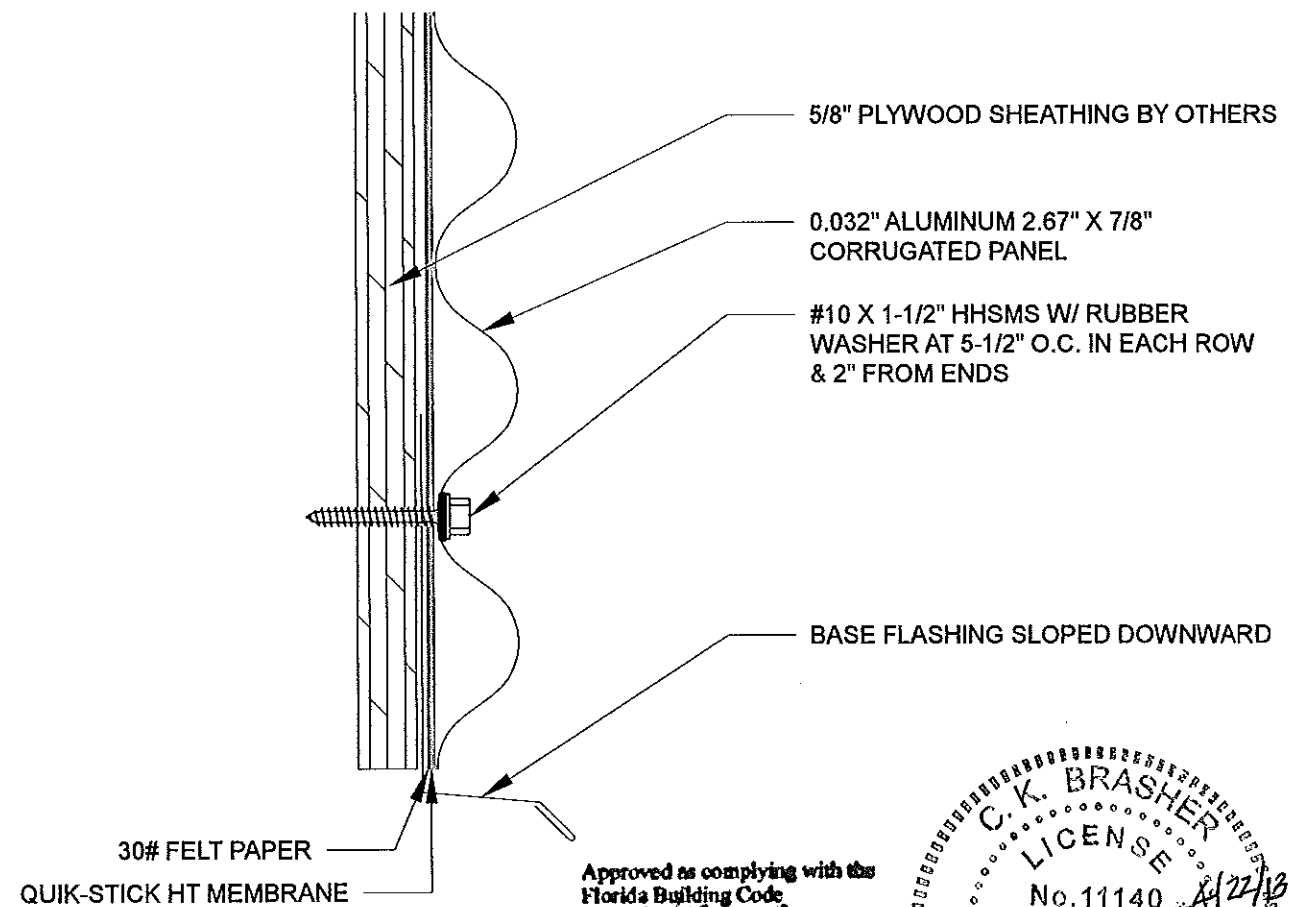


DRAWING NUMBER 210313-1 (12-1219.10)	 PAC CLAD PETERSEN ALUMINUM CORPORATION 102 NORTHPOINT PARKWAY, BLDG 102 ACWORTH, GA 30102 PH: 77-0427-6378 FAX: 770-420-2533	PROJECT NAME PETERSEN 0.032" ALUMINUM 2.67" X 7/8" CORRUGATED PANEL	REVISION 11 APR 2013	DATE 22 MAR 2013	SHEET 4 OF 7
		ENGINEER OF RECORD C. KEITH BRASHER, PE. - FL #11140		DRAWN BY DLT	



1
5

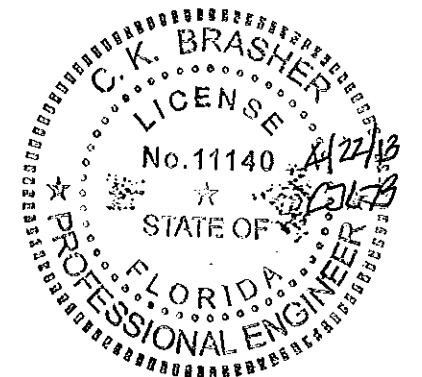
TYP. DOOR/WINDOW SILL DETAIL
HORIZONTAL PANELS




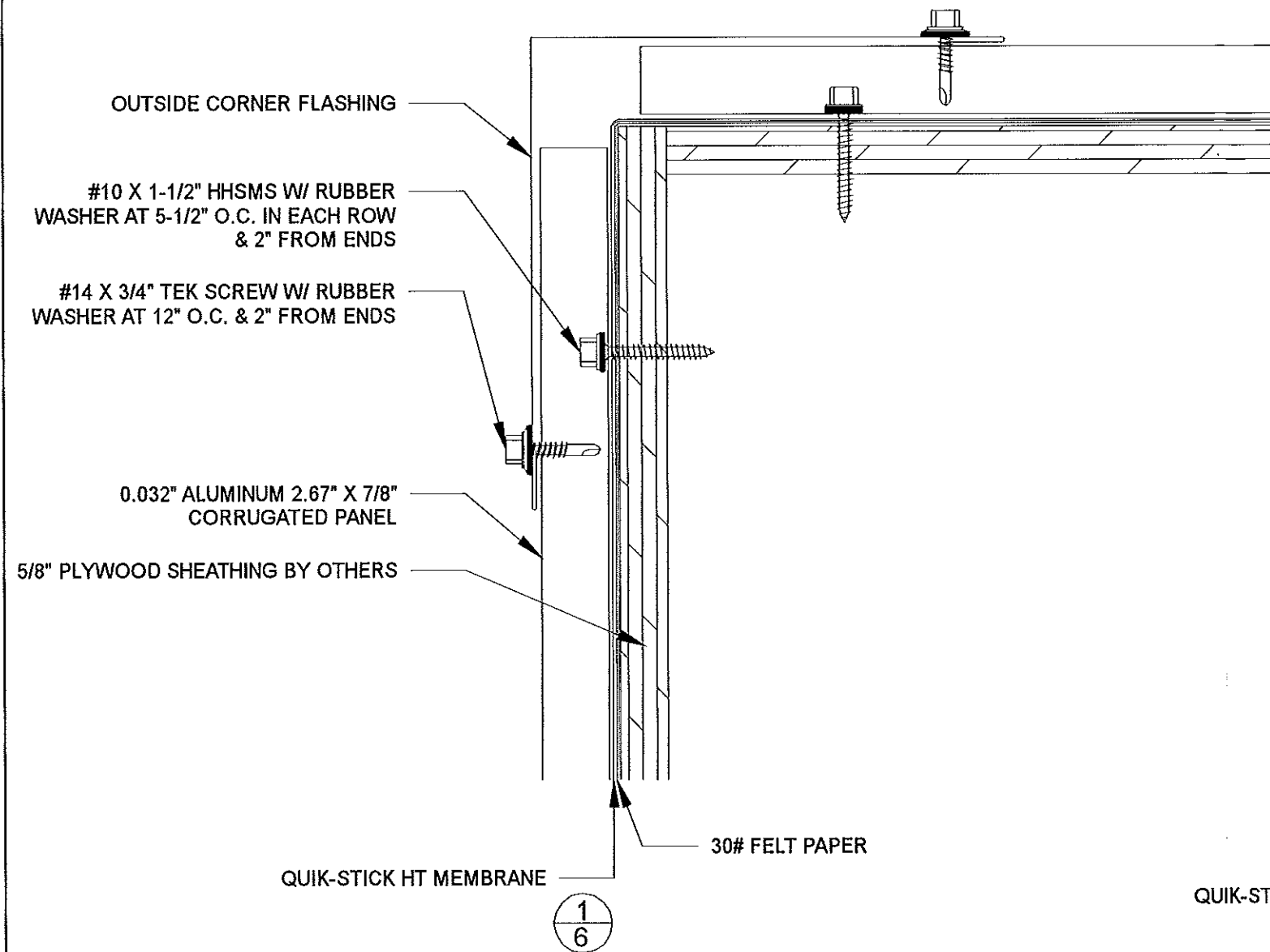
2
5

TYP. LEDGE DETAIL
HORIZONTAL PANELS

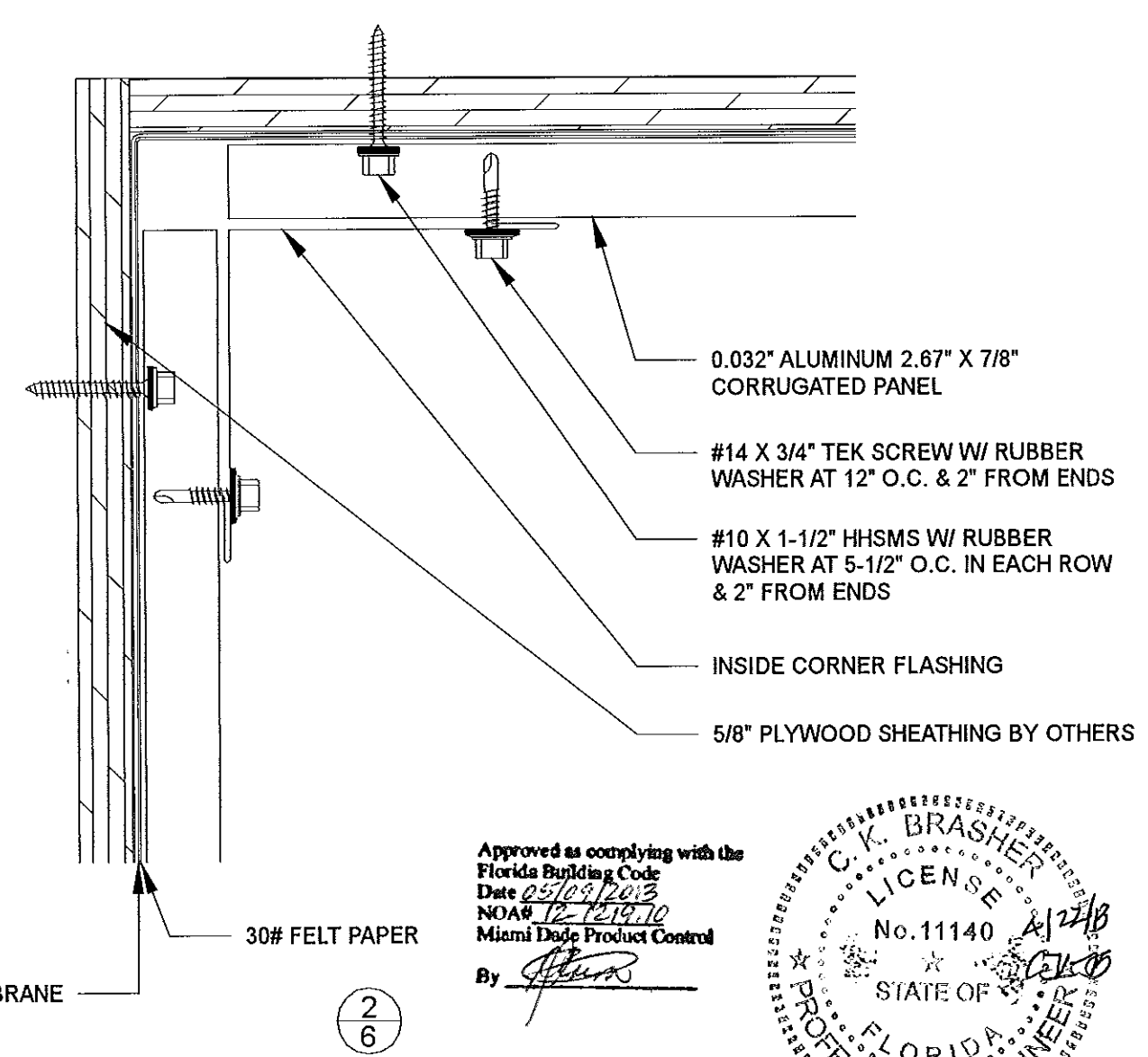
Approved as complying with the
Florida Building Code
Date 05/09/2013
NOA# 12-1219.10
Miami Data Product Control
By *[Signature]*



DRAWING NUMBER 210313-1 (12-1219.10)		PAC CLAD PETERSEN ALUMINUM CORPORATION 102 NORTHPOINT PARKWAY, BLDG 102 ACWORTH, GA 30102 PH: 77-0427-6378 FAX: 770-420-2533	PROJECT NAME	REVISION	DATE	SHEET 5 OF 7
			PETERSEN 0.032" ALUMINUM 2.67" X 7/8" CORRUGATED PANEL ENGINEER OF RECORD C. KEITH BRASHER, PE. - FL #11140	11 APR 2013	22 MAR 2013	
					DRAWN BY DLT	

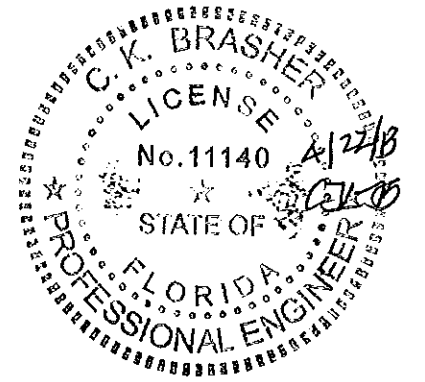



TYP. OUTSIDE CORNER DETAIL
HORIZONTAL PANELS

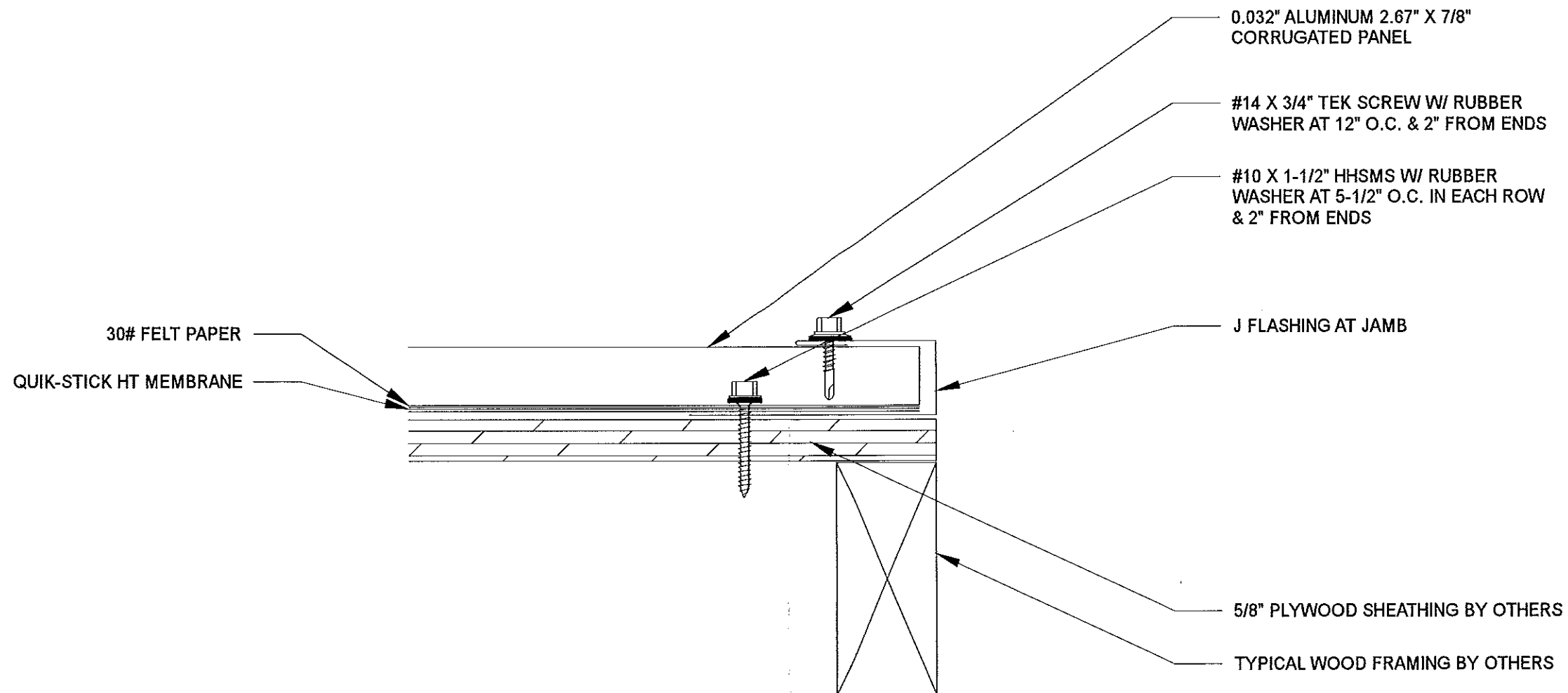


TYP. INSIDE CORNER DETAIL
HORIZONTAL PANELS

Approved as complying with the
Florida Building Code
Date 05/09/2013
NOA# 12-1219.10
Miami Dade Product Control
By *[Signature]*



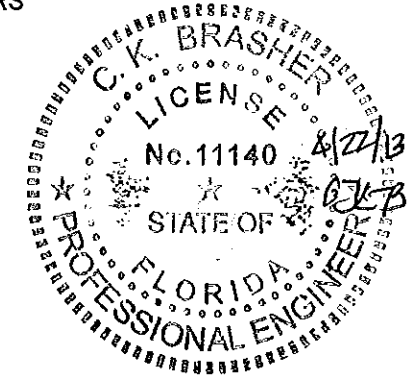
DRAWING NUMBER 210313-1 (12-1219.10)	 PAC CLAD PETERSEN ALUMINUM CORPORATION 102 NORTHPOINT PARKWAY, BLDG 102 ACWORTH, GA 30102 PH: 77-0427-6378 FAX: 770-420-2533	PROJECT NAME PETERSEN 0.032" ALUMINUM 2.67" X 7/8" CORRUGATED PANEL	REVISION 11 APR 2013	DATE 22 MAR 2013	SHEET 6 OF 7
		ENGINEER OF RECORD C. KEITH BRASHER, PE. - FL #11140		DRAWN BY DLT	




1
7

TYP. DOOR/WINDOW JAMB DETAIL
HORIZONTAL PANELS

Approved as complying with the
Florida Building Code
Date 05/09/2013
NOA# 12-1219.10
Miami Dade Product Control
By [Signature]



DRAWING NUMBER 210313-1 (12-1219.10)	 PAC CLAD PETERSEN ALUMINUM CORPORATION 102 NORTHPOINT PARKWAY, BLDG 102 ACWORTH, GA 30102 PH: 77-0427-6378 FAX: 770-420-2533	PROJECT NAME PETERSEN 0.032" ALUMINUM 2.67" X 7/8" CORRUGATED PANEL	REVISION 11 APR 2013	DATE 22 MAR 2013	SHEET 7 OF 7
		ENGINEER OF RECORD C. KEITH BRASHER, PE. - FL #11140		DRAWN BY DLT	